

## CBAS300-R4PCO-A2P

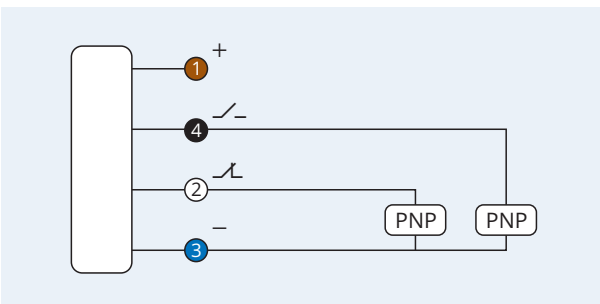
Mind O≠0, I≠I≠1, S≠5, B≠8.

Operating range	0.9...4 m · 3...13½ ft
Operating voltage	10...35 V <sub>DC</sub>
Current consumption	47 mA
Current load capability	200 mA
Operating temperature	-20...+55 °C · -3...+132 °F
Cycle time	13.5 ms
Ambient light immunity	100 klx
Polarity	PNP
Output function	⌋ and ⌋
IP code	IP 65
Housing material	aluminum, powder-coated
Pane material	PMMA
Operation indicator	LED green
Connection	PVC cable, 2 m
Weight	284 g · 10 oz
Tariff code	85365019
Complies with	CE, RoHS



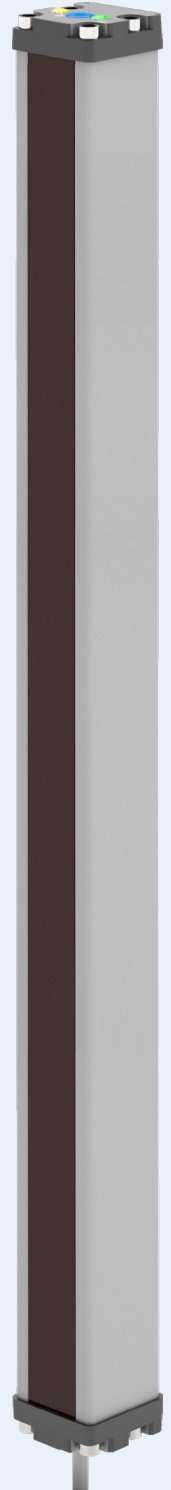
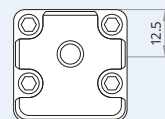
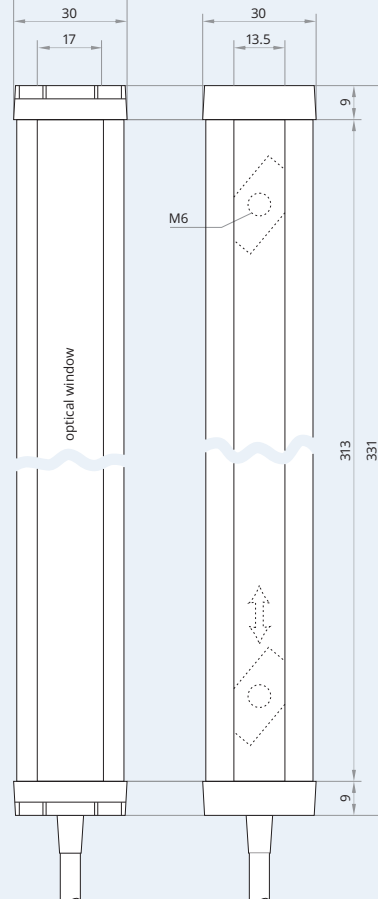
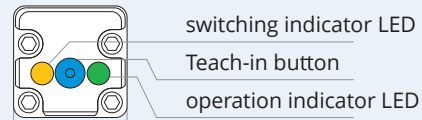
**25 months Warranty** Our products are manufactured to stringent ISO 9001 European standards to ensure that our customers only receive the best quality.

Wiring diagram



## Crossed-Beam Area Sensor Receiver

Active zone: 300 mm · Range: 4 m



**Caution!** This device shall not be used if the safety of persons rely on its faultless function.

XECRO reserves the right to make minor changes without prior notification.