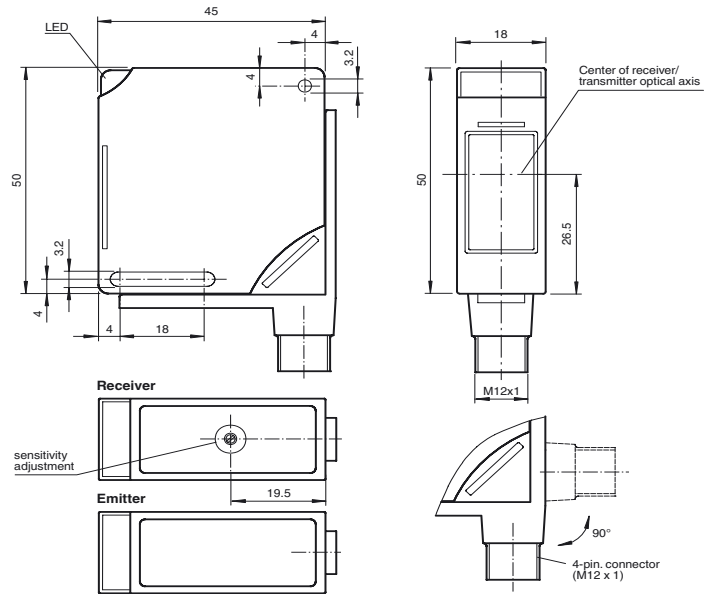




**Dimensions**



**Model Number**

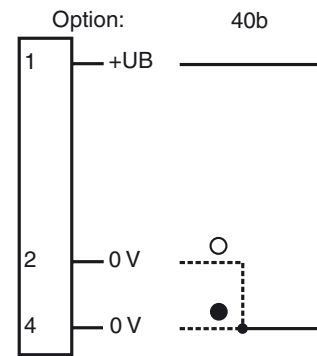
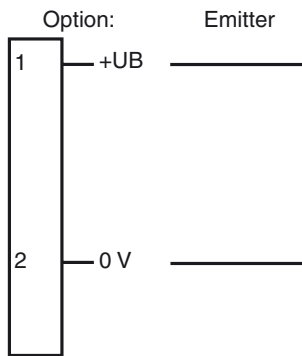
**M11/MV11-Ex/40b/112**

NAMUR thru-beam sensor, small housing design, 10 m detection range, red light, light/dark on, DC version, NAMUR output, M12 plug

**Features**

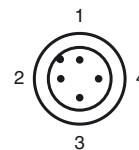
- ATEX approval for zone 1 (Gas)
- Intrinsically safe, Ex op is ia IIC T6 Gb
- Adjustable sensitivity

**Electrical connection**



○ = Light on  
● = Dark on

**Pinning according**



Release date: 2019-11-27 13:58 Date of issue: 2019-11-27 108994\_eng.xml

**Technical data****General specifications**

Effective detection range	0 ... 10 m
Threshold detection range	10 m
Light source	LED
Light type	modulated visible red light , 660 nm
Ambient light limit	≤ 10000 Lux sun light ≤ 7500 Lux halogen light

**Functional safety related parameters**

MTTF <sub>d</sub>	575 a
Mission Time (T <sub>M</sub> )	20 a
Diagnostic Coverage (DC)	0 %

**Indicators/operating means**

Operation indicator	LED green: power on (emitter)
Function indicator	LED yellow: switching state (receiver)
Control elements	sensitivity adjustment

**Electrical specifications**

Operating voltage	U <sub>B</sub>	6 ... 15.5 V DC (R <sub>i</sub> approx. 0 Ohm)
Ripple		5 %
Power consumption	P <sub>0</sub>	max. 64 mW
Time delay before availability	t <sub>v</sub>	20 ms

**Output**

Switching type	light/dark on, programmable	
Signal output	1 NAMUR output NC/NO programmable	
Switching voltage	8 V DC (R <sub>i</sub> approx. 1 kΩ)	
Switching frequency	f	≤ 100 Hz
Current consumption	Emitter: ≥ 2.2 mA , Receiver:	
Reference target detected	connection 1, 2: ≥ 2.2 mA connection 1, 4: ≤ 1 mA	
Reference target not detected	connection 1, 2: ≤ 1 mA connection 1, 4: ≥ 2.2 mA	
Response time	5 ms	

**Conformity**

Product standard	EN 60947-5-2
------------------	--------------

**Ambient conditions**

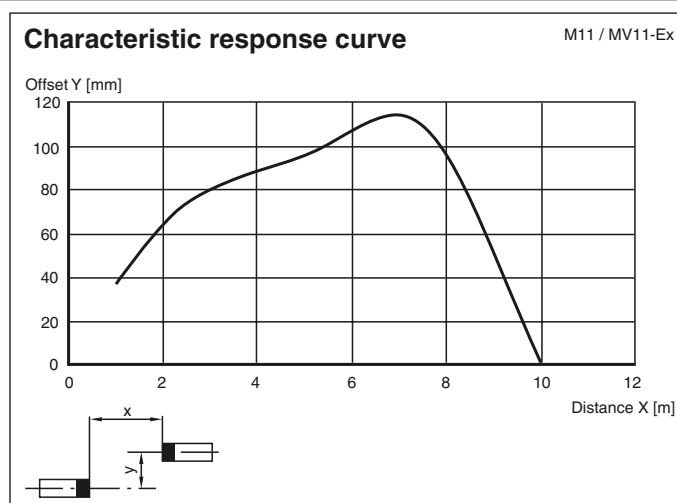
Ambient temperature	-25 ... 70 °C (-13 ... 158 °F)
Storage temperature	-40 ... 80 °C (-40 ... 176 °F)

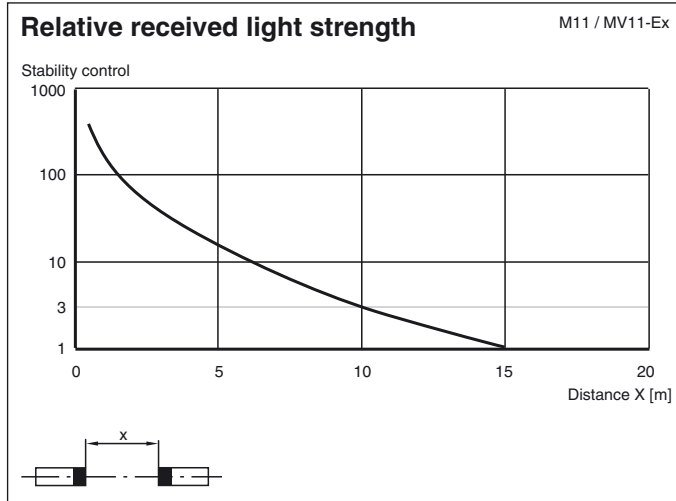
**Mechanical specifications**

Housing width	18 mm
Housing height	50 mm
Housing depth	45 mm
Degree of protection	IP67
Connection	V1 connector (M12 x 1), 4-pin, rotatable through 90°
Material	
Housing	PBT
Optical face	scratch resistant plastic lens
Mass	60 g (device)

**Approvals and certificates**

CCC approval	CCC approval / marking not required for products rated ≤36 V
--------------	--

**Curves / Diagrams**



Release date: 2019-11-27 13:58 Date of issue: 2019-11-27 108994\_eng.xml

Refer to "General Notes Relating to Pepperl+Fuchs Product Information".

Pepperl+Fuchs Group  
www.pepperl-fuchs.com

USA: +1 330 486 0001  
fa-info@us.pepperl-fuchs.com

Germany: +49 621 776 4411  
fa-info@de.pepperl-fuchs.com

Singapore: +65 6779 9091  
fa-info@sg.pepperl-fuchs.com