



Model Number

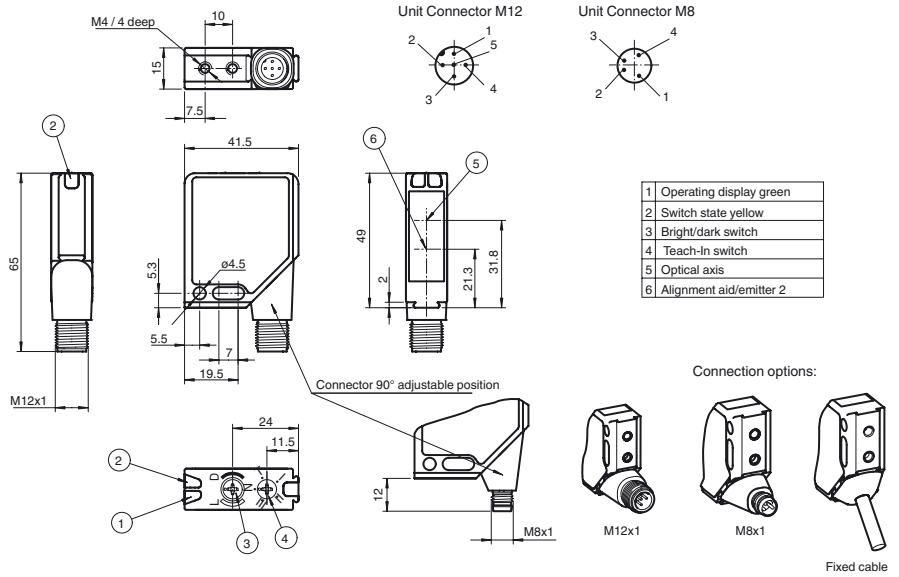
M12/MV12-F3-IR/76b/82b/124/128

Thru-beam sensor
with 5-pin M12 connector, 90° adjustable position

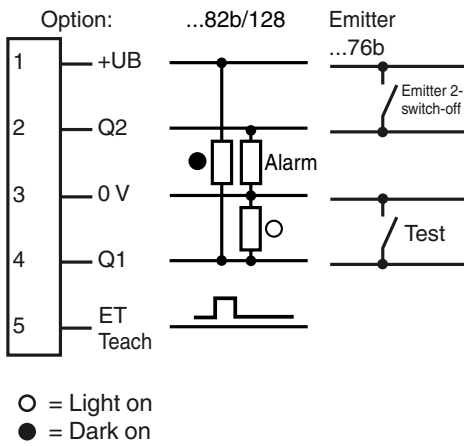
Features

- Series of sensors in a widely used standard housing
- TEACH-IN switch for setting the contrast detection levels
- Automatic adjustment in case of soiling in contrast detection mode
- Additional LED as alignment aid in receiver optics
- High level of stability thanks to the metal housing frame
- Resistant against noise: reliable operation under all conditions

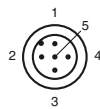
Dimensions



Electrical connection



Pinout



Wire colors in accordance with EN 60947-5-2

1	BN	(brown)
2	WH	(white)
3	BU	(blue)
4	BK	(black)
5	GY	(gray)

Release date: 2019-11-27 14:03 Date of issue: 2019-11-27 205053_eng.xml

Technical data**System components**

Emitter	M12-F3-IR/76b/124
Receiver	MV12-F3/82b/124/128

General specifications

Effective detection range	0 ... 16 m
Threshold detection range	25 m
Light source	2 LED
Light type	modulated infrared light , 880 nm
Target size	min. 12 mm
Alignment aid	LED red in receiver
Diameter of the light spot	approx. 420 mm at a distance of 16 m
Angle of divergence	1.5 °
Ambient light limit	
Continuous light	40000 Lux
Modulated light	5000 Lux

Functional safety related parameters

MTTF _d	570 a
Mission Time (T _M)	20 a
Diagnostic Coverage (DC)	90 %

Indicators/operating means

Operation indicator	LED green, flashes in case of short-circuit
Function indicator	2 LEDs yellow for switching state, stability control, TEACH-IN and contrast detection mode
Control elements	rotary switch for light/dark, 5-step switch for contrast recognition adjustment
Contrast detection levels	15 % - clear glass bottles 25 % - plastic foils 40 % - colored glass or opaque materials adjustable by Teach-In key or external wire

Electrical specifications

Operating voltage	U _B	10 ... 30 V DC
Ripple		max. 10 %
No-load supply current	I ₀	Emitter: ≤ 35 mA Receiver: ≤ 45 mA

Input

Test input	emitter deactivation at 0 V
Function input	Ext. Teach-In input (ET)

Output

Pre-fault indication output	1 PNP, inactive when level falls below function reserve after approx. 5 s. Immediately inactive if the beam is interrupted 4 times during the flashtime.	
Switching type	light/dark on, switchable	
Signal output	1 push-pull (4 in 1) output, short-circuit protected, reverse polarity protected	
Switching voltage	max. 30 V DC	
Switching current	max. 0.2 A	
Voltage drop	U _d	≤ 2.5 V DC
Switching frequency	f	500 Hz
Response time		1 ms

Conformity

Product standard	EN 60947-5-2
------------------	--------------

Ambient conditions

Ambient temperature	-40 ... 60 °C (-40 ... 140 °F)
Storage temperature	-40 ... 75 °C (-40 ... 167 °F)

Mechanical specifications

Housing width	41.5 mm
Housing height	49 mm
Housing depth	15 mm
Degree of protection	IP67
Connection	Metal connector, M12, 5-pin, 90° rotatable
Material	
Housing	Frame: nickel plated, die cast zinc, Laterals: glass-fiber reinforced plastic PC
Optical face	Plastic pane
Mass	120 g (emitter and receiver)

Compliance with standards and directives

Standard conformity	
Shock and impact resistance	IEC / EN 60068. half-sine, 40 g in each X, Y and Z directions
Vibration resistance	IEC / EN 60068-2-6. Sinus. 10 -150 Hz, 5 g in each X, Y and Z directions

Approvals and certificates

Protection class	II, rated voltage ≤ 300 V AC with pollution degree 1-2 according to IEC 60664-1
------------------	---

Accessories**OMH-MLV12-HWG**

Mounting bracket for series MLV12 sensors

OMH-MLV12-HWK

Mounting bracket for series MLV12 sensors

OMH-K01

dove tail mounting clamp

OMH-K02

dove tail mounting clamp

OMH-K03

dove tail mounting clamp

OMH-06

Mounting aid for round steel ø 12 mm or sheet 1.5 mm ... 3 mm

V15-G-2M-PUR

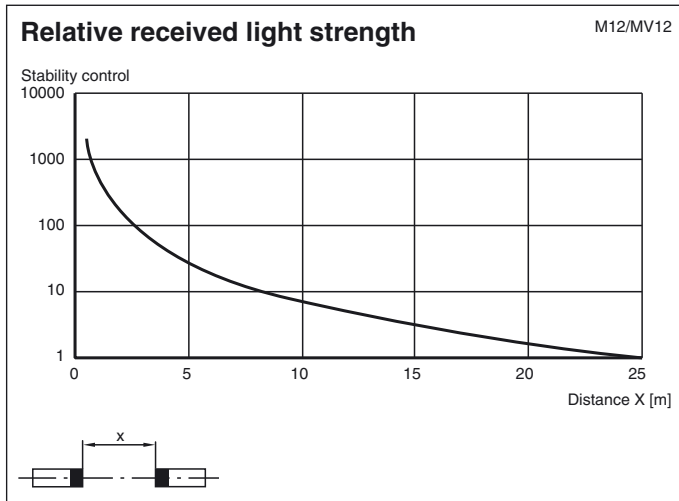
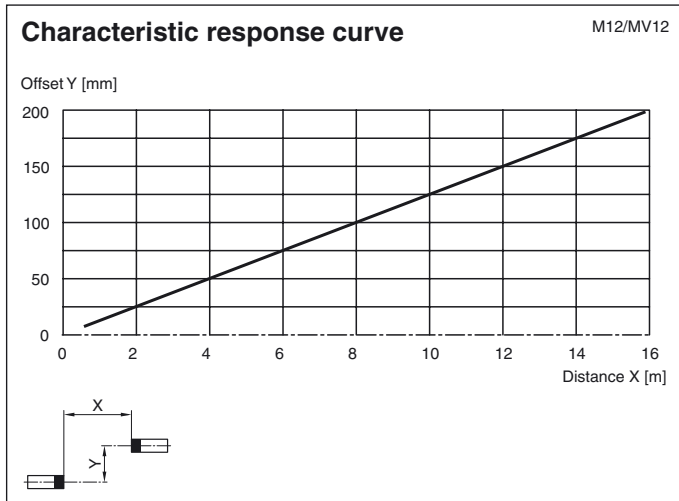
Female cordset, M12, 5-pin, PUR cable

Other suitable accessories can be found at www.pepperl-fuchs.com

UL approval
CCC approval

cULus
CCC approval / marking not required for products rated ≤36 V

Curves/Diagrams



Notes

Alignment

In switching position "N" senders and recipients align to:
Yellow LED lights up constantly, red LED is off.

TEACH-IN

- **Switch position "N" (standard operation):**
LEDs are lit when the light beam is unobstructed, they flash when the value falls short of the function reserve and switch off when the beam is interrupted.
- **Switch position "T" (Teach-in mode):**
After 1 s, the LED flashes slowly (approx. 1.5 Hz). The sensor is now ready to be set for a specific contrast detection value either via the mechanical switch (pos. I, II or III) or an external signal.
- **Switch positions "I", "II" and "III" (contrast detection mode)**
Contrast recognition values: I for 15 %, II for 25 %, III for 40 %
 1. LED permanently lit: light path unobstructed
 2. LED off: element to be sensed detected
 3. LED flashes rapidly: detection failure, excessive soiling, function reserve too low.
- **Ext. TEACH-IN input**
The desired contrast recognition capability can be adjusted by applying of a logic „high“ pulse with a certain pulse length when the switch is in position T.
 - I: 50 ms (30 ms ... 100 ms)
 - II: 150 ms (100 ms ... 200 ms)
 - III: > 200 ms
 Mode selector in position T.

Release date: 2019-11-27 14:03 Date of issue: 2019-11-27 205053_eng.xml

Refer to "General Notes Relating to Pepperl+Fuchs Product Information".