



Model Number

LA29/LK29-Z-F1/31/116-SET

Thru-beam sensor

With OMH-RLK29-HW mounting bracket

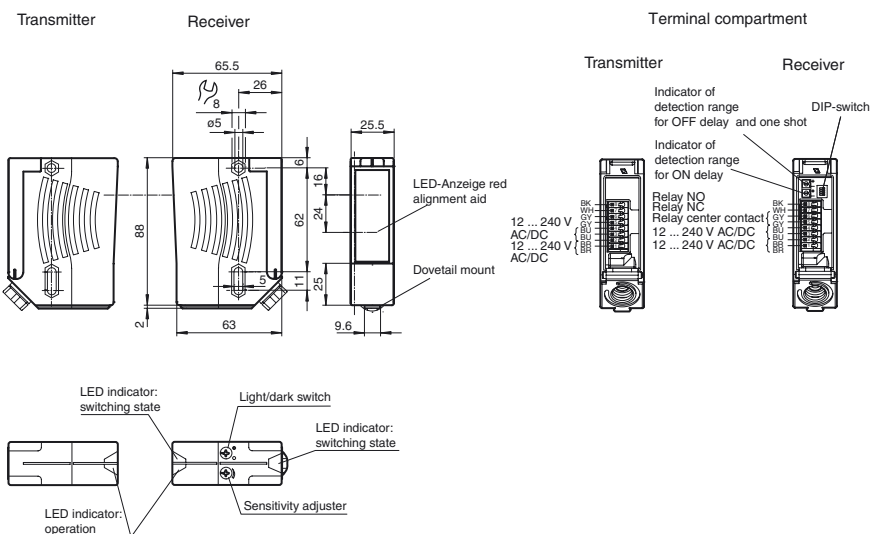
Features

- Robust, compact photoelectric sensor for single-beam gate protection
- Very high detection range
- No measurable emitted interference on all frequencies
- Not sensitive to ambient light, even with energy saving lamps
- Adjustable timer functions
- Version with accessories in scope of delivery

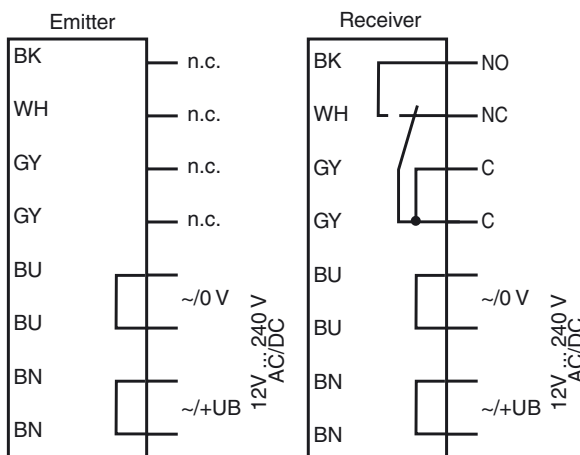
Product information

Series 29 is a range of low-cost and, most importantly, reliable photoelectric sensors for monitoring industrial doors, elevators, and automatic gates. Their high degree of protection makes them the ideal solution for tasks outdoors and at thresholds, and in harsh environments. These "universal-voltage sensors" can be operated with any supply voltage from 24 V to 240 V, and with direct current or alternating current.

Dimensions

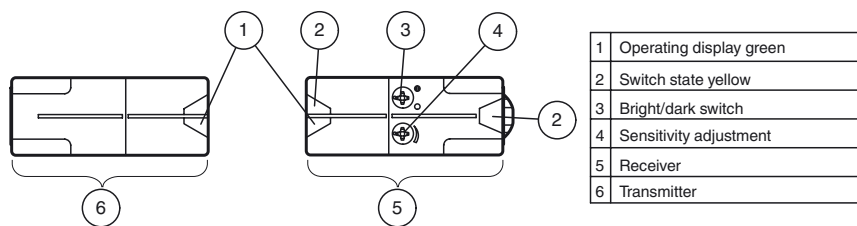


Electrical connection



The relay-functions "NC" and "NO" bear on the switching mode "Dark-ON". This complies to the default setting of the light/dark switch (factory setting).

Indicators/operating means



Release date: 2019-12-18 11:38 Date of issue: 2019-12-18 244081_eng.xml

Technical data**System components**

Emitter	LA29-F1/116
Receiver	LK29-Z-F1/31/116

General specifications

Effective detection range	0 ... 65 m
Threshold detection range	90 m
Light source	LED
Light type	modulated visible red light , 660 nm
Alignment aid	LED red (in receiver lens) illuminated constantly: beam is interrupted, flashes: reaching switching point, off: sufficient stability control
Transmitter frequency	F1 = 25 kHz
Diameter of the light spot	approx. 1.3 m at 65 m
Angle of divergence	Emitter 1.2°, Receiver 5°
Ambient light limit	50000 Lux

Functional safety related parameters

MTTF _d	490 a
Mission Time (T _M)	20 a
Diagnostic Coverage (DC)	0 %

Indicators/operating means

Operation indicator	LED green
Function indicator	LED yellow: 1. LED lit constantly: signal > 2 x switching point (function reserve) 2. LED flashes: signal between 1 x switching point and 2 x switching point 3. LED off: signal < switching point
Control elements	sensitivity adjustment (Adjustment to < 25% of the effective operating range) , Light-on/dark-on changeover switch

Electrical specifications

Operating voltage	U _B	12 ... 240 V AC/DC
Power consumption	P ₀	≤ 3.5 VA

Output

Switching type	light/dark on, switchable . (selectable, light/dark switching is only activated if the receiver has 'dark on' selected.)	
Signal output	Relay, 1 alternator	
Switching voltage	max. 250 V AC/DC	
Switching current	max. 2 A	
Switching power	DC: max. 50 W AC: max. 500 VA	
Switching frequency	f	25 Hz
Response time	20 ms	
Timer function	ON delay (GAN), OFF delay (GAB), one shot (IAB), ON delay-OFF delay (GAN-GAB), programmable adjustment range 0.1 ... 10 s	

Conformity

Product standard	EN 60947-5-2
------------------	--------------

Ambient conditions

Ambient temperature	-40 ... 60 °C (-40 ... 140 °F)
Storage temperature	-40 ... 75 °C (-40 ... 167 °F)

Mechanical specifications

Degree of protection	IP67
Connection	terminal compartment with 8 spring-loaded terminals for wire cross section 0.5 ... 1.5 mm ² , Insulation stripping 7.5 ... 8.5 mm , M16 x 1.5 cable gland
Material	
Housing	Plastic ABS
Optical face	Plastic pane
Mass	200 g (emitter and receiver)

Approvals and certificates

EAC conformity	TR CU 020/2011 TR CU 004/2011
Protection class	II, rated voltage ≤ 250 V AC with pollution degree 1-2 according to IEC 60664-1 Output circuit basis insulation of input circuit according to EN 50178, rated insulation voltage 230 V AC Caution! The protection class 2 is only valid when the terminal compartment is closed.
CCC approval	Certified by China Compulsory Certification (CCC)

Typical applications

- Monitoring closing edges of automatic industrial doors and elevators
- Monitoring the swing range of automatic gates
- Detecting and tracking objects in material handling

Detection area**Accessories****OMH-05**

Mounting aid for round steel ø 12 mm or sheet 1.5 mm ... 3 mm

OMH-07

Mounting aid for round steel ø 12 mm or sheet 1.5 mm ... 3 mm

OMH-21

Mounting bracket

OMH-22

Mounting bracket

OMH-RLK29

Mounting bracket

OMH-MLV11-K

dove tail mounting clamp

OMH-RLK29-HW

Mounting bracket for rear wall mounting

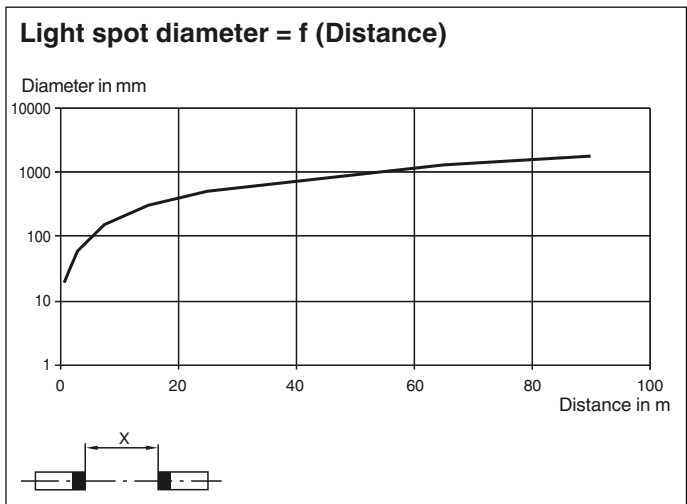
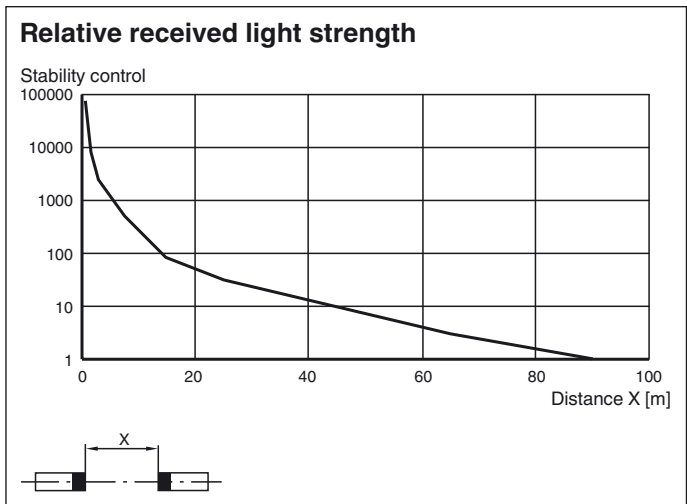
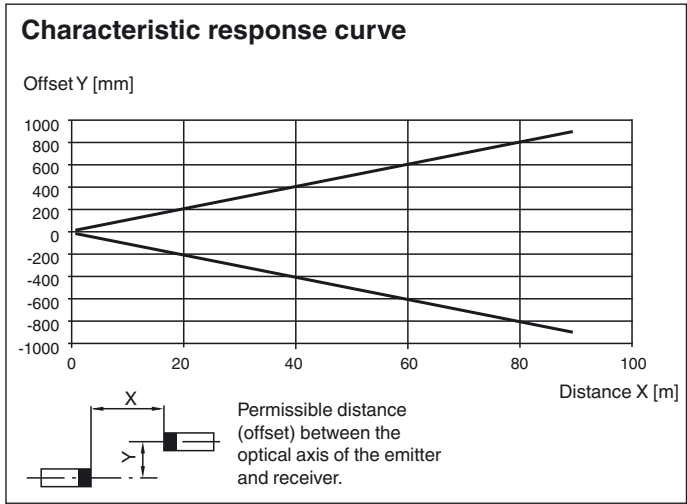
OMH-RL28-C

Weld slag cover model

Other suitable accessories can be found at www.pepperl-fuchs.com



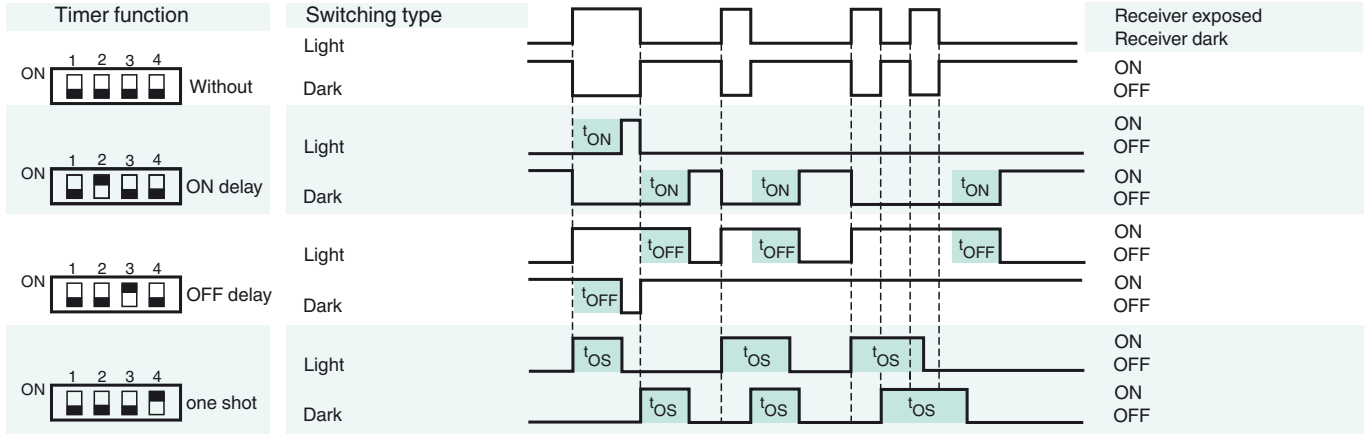
Curves/Diagrams



Release date: 2019-12-18 11:38 Date of issue: 2019-12-18 244081_eng.xml

Timer functions

Refer to "General Notes Relating to Pepperl+Fuchs Product Information".



Time t_{ON} , t_{OFF} and t_{OS} are adjustable from 0.1 to 10 seconds.
 The Light-/Dark-Switch (Left, outer switch) is shown in the "Dark ON" position.

Type	Description	Notes
-Z	OFF delay timer	Adjustable time interval (0.1 s - 10 s)
	one shot timer	
	ON delay timer	
	ON delay timer / OFF delay timer	
	ON delay timer / one shot timer	