



Model Number

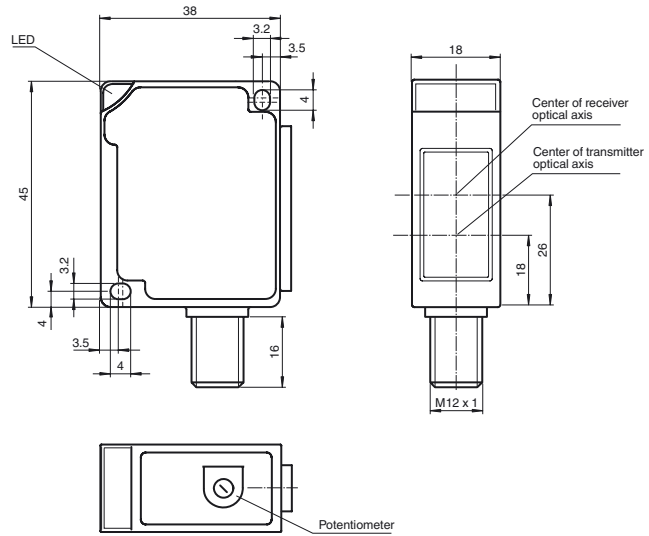
M13/MV13/32/40b/73c

Thru-beam sensor
with 4-pin, M12 x 1 connector

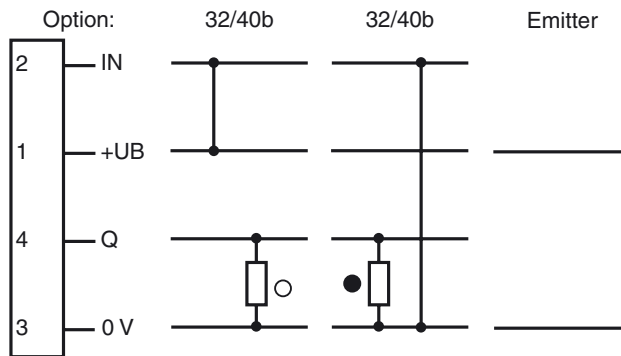
Features

- Visible red light
- Pre-fault indication
- Light/dark ON, programmable
- Control input for light/dark switching

Dimensions



Electrical connection



○ = Light on
● = Dark on

Release date: 2019-11-26 15:11 Date of issue: 2019-11-26 088795_eng.xml

Refer to "General Notes Relating to Pepperl+Fuchs Product Information".

Technical data**System components**

Emitter	M13/73c
Receiver	MV13/32/40b/73c

General specifications

Effective detection range	0 ... 15 m
Threshold detection range	22 m
Adjustment range	2 ... 22 m
Light source	LED , 660 nm
Light type	modulated visible red light
Ambient light limit	10000 Lux

Indicators/operating means

Operation indicator	LED green (emitter)
Function indicator	switching state: LED yellow pre-fault indicator: LED red
Control elements	sensitivity adjustment

Electrical specifications

Operating voltage	U_B	10 ... 30 V DC
Ripple		10 %
No-load supply current	I_0	≤ 25 mA
Time delay before availability	t_v	≤ 30 ms

Input

Control input	light on +UB dark on: 0 V
---------------	------------------------------

Output

Switching type	light/dark on	
Signal output	1 PNP output, short-circuit protected, reverse polarity protected, open collector	
Switching voltage	max. 30 V DC	
Switching current	max. 200 mA	
Voltage drop	U_d	≤ 2.5 V DC
Switching frequency	f	≤ 150 Hz
Response time		≤ 3 ms

Conformity

Product standard	EN 60947-5-2
------------------	--------------

Ambient conditions

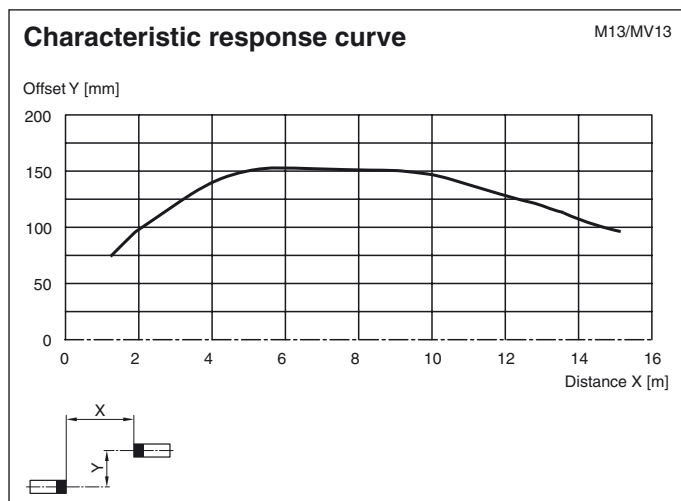
Ambient temperature	-25 ... 70 °C (-13 ... 158 °F)
Storage temperature	-40 ... 70 °C (-40 ... 158 °F)

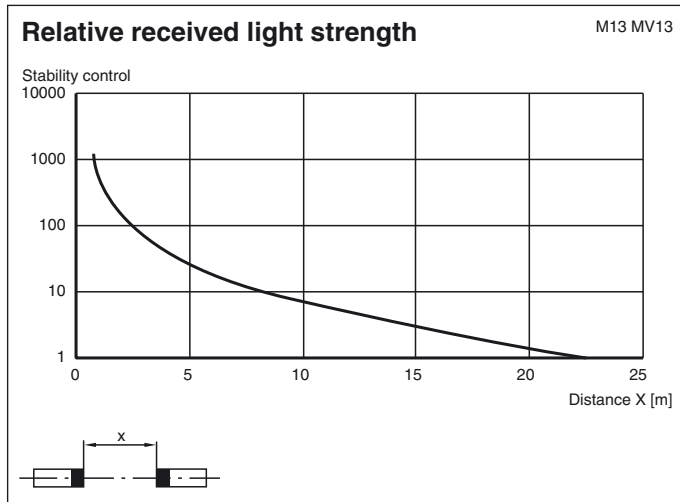
Mechanical specifications

Housing width	18 mm
Housing height	45 mm
Housing depth	38 mm
Degree of protection	IP67
Connection	M12 connector, 4-pin
Material	
Housing	ABS
Optical face	PMMA
Mass	40 g (device)

Approvals and certificates

CCC approval	CCC approval / marking not required for products rated ≤ 36 V
--------------	--

Curves/Diagrams



Additional Information

Conventional use:

The emitter and receiver of the single path light beam switch are housed in different cases that are separated from each other. The emitter transmits directly to receiver. If an object interrupts the light beam the switching function is initiated.

Mounting instructions:

The sensor can be fastened over the through-holes directly or with the included support angle. The base surface must be flat to avoid distorting the housing during mounting. It is advisable to secure the bolts and screws with washers to prevent misalignment of the sensor.

Instructions for adjustment:

Emitter and receiver mount to opposite each other and align roughly. The exact adjustment takes by swivelling the emitter or receiver horizontally and vertically. With optimum light reception the yellow LED (only receiver) lights up constantly. In case of bad alignment, the red LED lights up.

Object detection check:

Move the object into the light beam. If the object is recorded, the yellow LED switch off. If it doesn't go off, reduce the sensitivity with the potentiometer until it goes off. It should light up constantly again when the object is removed.

The red LED lights up if reception deteriorates (e.g. soiled lenses or by maladjustment) and when falling short of the stability control.

Illustration:

We recommend that you clean the optical interfaces and check the plug-in connections and screw connections at regular intervals.