



Model Number

BB10-P/33/59/76b/102/115-7m

Thru-beam sensor
with fixed cable

Features

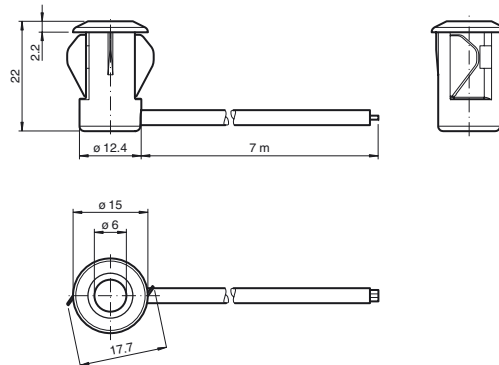
- Single-beam miniature photoelectric sensor, ideal for installing in frames or contours
- Integrated circuit
- Plug-in style housing for 13 mm hole
- Narrow opening angle, suitable for mounting in pairs
- Dark on version
- Version with test input

Product information

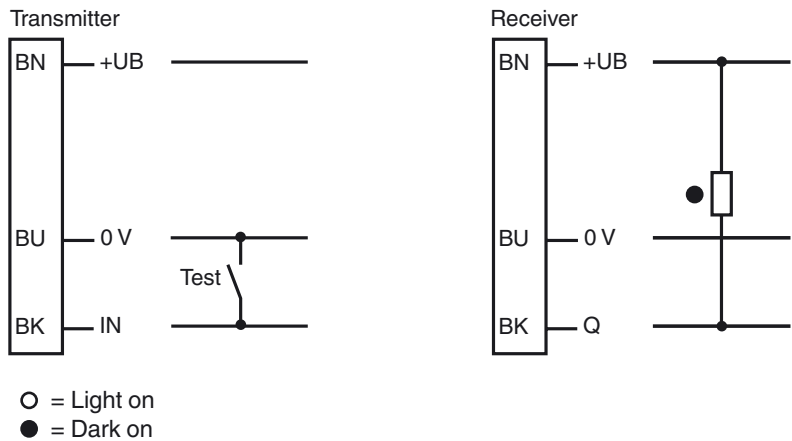
There is no simpler way of installing a sensor: drill the hole, clip in the sensor and you're done. What's more, the BB10 plug-in sensors for doors and turnstiles offer top performance at an extremely attractive price. The switching mechanism is integrated in the compact, self-contained and temperature-stable housing, making the BB10 suitable even for extremely cold regions with temperatures as low as -40°C.

Release date: 2019-12-18 11:14 Date of issue: 2019-12-18 809330_eng.xml

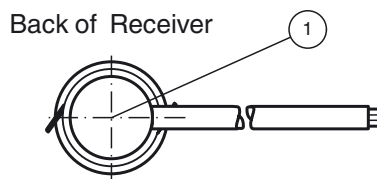
Dimensions



Electrical connection



Indicators/operating means



| | | |
|---|----------------|-----|
| 1 | Signal display | red |
|---|----------------|-----|

Technical data**System components**

| | |
|----------|-------------------------|
| Emitter | BB10-T/33/76b/115-7m |
| Receiver | BB10-R/33/59/102/115-7m |

General specifications

| | |
|----------------------------|---|
| Effective detection range | 0 ... 6 m |
| Threshold detection range | 8 m |
| Light source | IREL |
| Light type | modulated infrared light , 880 nm |
| Diameter of the light spot | approx. 1300 mm at a distance of 6 m |
| Angle of divergence | Emitter: +/- 8 ° Receiver: +/- 10 ° |
| Optical face | frontal |
| Ambient light limit | halogen light 100000 Lux ; according to EN 60947-5-2:2007 |

Functional safety related parameters

| | |
|--------------------------------|-------|
| MTTF _d | 795 a |
| Mission Time (T _M) | 20 a |
| Diagnostic Coverage (DC) | 0 % |

Indicators/operating means

| | |
|--------------------|--|
| Function indicator | LED red: lights up when receiving the light beam ; flashes when falling short of the stability control; OFF when light beam is interrupted |
|--------------------|--|

Electrical specifications

| | | |
|------------------------|----------------|---------------------------------------|
| Operating voltage | U _B | 10 ... 30 V DC |
| No-load supply current | I ₀ | Emitter: ≤ 20 mA Receiver: ≤ 10 mA |

Input

| | |
|------------|-----------------------------|
| Test input | emitter deactivation at 0 V |
|------------|-----------------------------|

Output

| | | |
|---------------------|---|------------|
| Switching type | dark on | |
| Signal output | 1 NPN output, short-circuit protected, reverse polarity protected, open collector | |
| Switching voltage | max. 30 V DC | |
| Switching current | max. 100 mA | |
| Voltage drop | U _d | ≤ 1.5 V DC |
| Switching frequency | f | 62.5 Hz |
| Response time | | 8 ms |

Conformity

| | |
|------------------|--------------|
| Product standard | EN 60947-5-2 |
|------------------|--------------|

Ambient conditions

| | |
|---------------------|---|
| Ambient temperature | -40 ... 60 °C (-40 ... 140 °F) , fixed -20 ... 60 °C (-4 ... 140 °F) , movable |
| Storage temperature | -40 ... 70 °C (-40 ... 158 °F) |
| Relative humidity | 90 % , noncondensing |

Mechanical specifications

| | |
|----------------------|--|
| Degree of protection | IP67 |
| Connection | 7 m fixed cable Receiver: grey ; Emitter: black |
| Material | |
| Housing | PC , black |
| Optical face | Plastic pane |
| Mass | approx. 100 g per device |

Approvals and certificates

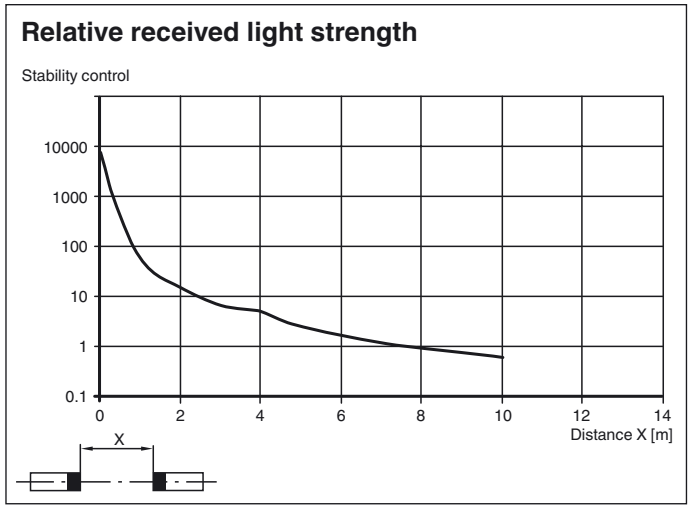
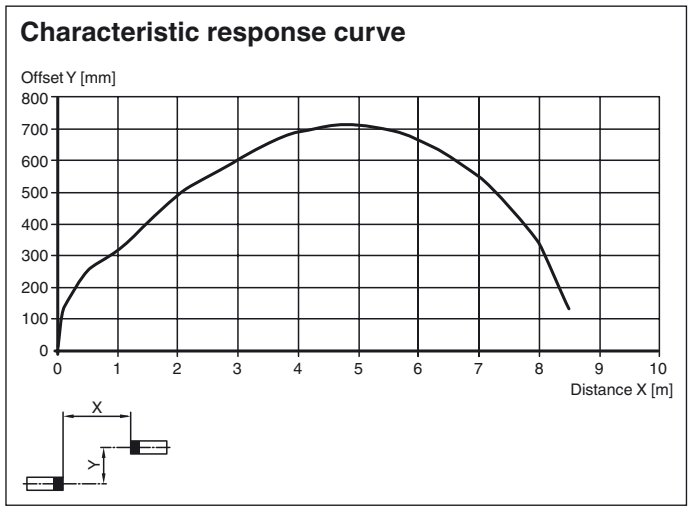
| | |
|-------------------------------|--|
| CCC approval | CCC approval / marking not required for products rated ≤36 V |
| UN/ECE Regulation No. 10 (E1) | Type-approval number: 036938 |

Typical applications

- Monitoring function for turnstiles
- Activation function for restarting escalators
- Monitoring of industrial gates
- Person detection for automatic doors and gates

Detection area

Curves/Diagrams



Operating principle

The thru-beam sensor requires two devices for operation; a light source and a light receiver. The light source and receiver must be optically aligned with one another in a single line. The infrared light emitted from the source is recorded by the receiver and evaluated. The sensor detects both people and objects for as long as an object interrupts the detection beam, regardless of movement and surface structure.

Function

The Series BB10 thru-beam sensor requires a pair of devices for operation, comprising a light transmitter and a light receiver. The transmitter and receiver must be arranged in optical alignment with each other. The infrared light from the transmitter is detected by the receiver and evaluated.

Static detection:

The thru-beam sensor detects persons and objects independently of movement and surface structure for as long as the object breaks the detection beam.

| | | Electronic output |
|---------------------|-----------------------|-------------------|
| Light detection /25 | Person in the beam | Inactive |
| | No person in the beam | Active |
| Dark detection /59 | Person in the beam | Active |
| | No person in the beam | Inactive |

Release date: 2019-12-18 11:14 Date of issue: 2019-12-18 809330_eng.xml

Refer to "General Notes Relating to Pepperl+Fuchs Product Information".

Installation:

Thanks to its small dimensions, the light beam can be fitted in a U-profile or behind a face panel.

| Sheet thickness [mm] | Hole diameter [mm] | |
|----------------------|--------------------|------|
| | 13 | 13.5 |
| 1 | OK | X |
| 2 | OK | OK |
| 3 | OK | OK |

X = Mounting not possible

OK = Mounting possible

Installation of twin-beam arrangement:

A twin-beam version requires 2 transmitters and receivers.

When using thru-beam sensors with the same transmission frequency:

Ensure that the minimum beam distance is 20 cm and that the light source and receiver are arranged in a cross formation.

