



Model Number

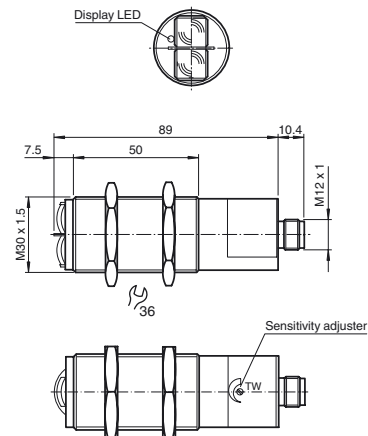
GLV30-8-2500/47/73c

Diffuse mode sensor
4-pin, M12 x 1 connector

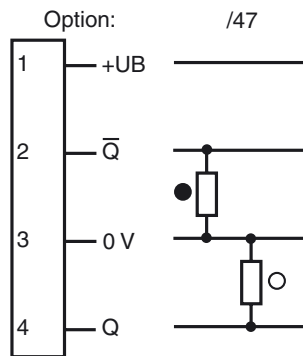
Features

- M30 plastic housing
- Light/dark switching

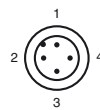
Dimensions



Electrical connection



Pinout



Wire colors in accordance with EN 60947-5-2

| | | |
|---|----|---------|
| 1 | BN | (brown) |
| 2 | WH | (white) |
| 3 | BU | (blue) |
| 4 | BK | (black) |

Release date: 2019-11-26 15:25 Date of issue: 2019-11-26 419128_eng.xml

Technical data**General specifications**

| | |
|----------------------------|---|
| Detection range | 100 ... 2500 mm |
| Adjustment range | 750 ... 2500 mm |
| Light source | IREL |
| Light type | modulated infrared light |
| Diameter of the light spot | approx. 450 mm at a distance of 2000 mm |
| Angle of divergence | $\pm 7^\circ$ |
| Ambient light limit | 30000 Lux |

Indicators/operating means

| | |
|--------------------|--|
| Function indicator | LED yellow, lights up if receiver is not lit |
| Control elements | Sensing range adjuster |

Electrical specifications

| | | |
|------------------------|-------|--------------------|
| Operating voltage | U_B | 24 V DC $\pm 20\%$ |
| Ripple | | 10 % |
| No-load supply current | I_0 | 30 mA |

Output

| | | |
|---------------------|---|-------|
| Switching type | light/dark on | |
| Signal output | 2 PNP, complementary, short-circuit protected, reverse polarity protected | |
| Switching voltage | max. 30 V DC | |
| Switching current | max. 200 mA | |
| Switching frequency | f | 35 Hz |
| Response time | | 10 ms |

Conformity

| | |
|------------------|--------------|
| Product standard | EN 60947-5-2 |
|------------------|--------------|

Ambient conditions

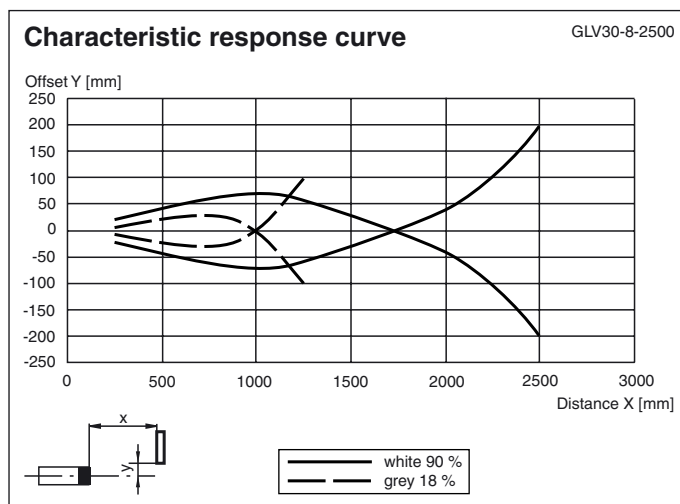
| | |
|---------------------|-------------------------------|
| Ambient temperature | -20 ... 60 °C (-4 ... 140 °F) |
| Storage temperature | -20 ... 75 °C (-4 ... 167 °F) |

Mechanical specifications

| | |
|----------------------|----------------------------------|
| Degree of protection | IP67 |
| Connection | Plastic connector M12 x 1, 4-pin |
| Material | |
| Housing | ABS |
| Optical face | plastic lenses |
| Mass | approx. 70 g |

Approvals and certificates

| | |
|--------------|--|
| CCC approval | CCC approval / marking not required for products rated ≤ 36 V |
| Approvals | CE |

Curves/Diagrams**Accessories****V1-G-2M-PUR**

Female cordset, M12, 4-pin, PUR cable

V1-W-2M-PUR

Female cordset, M12, 4-pin, PUR cable

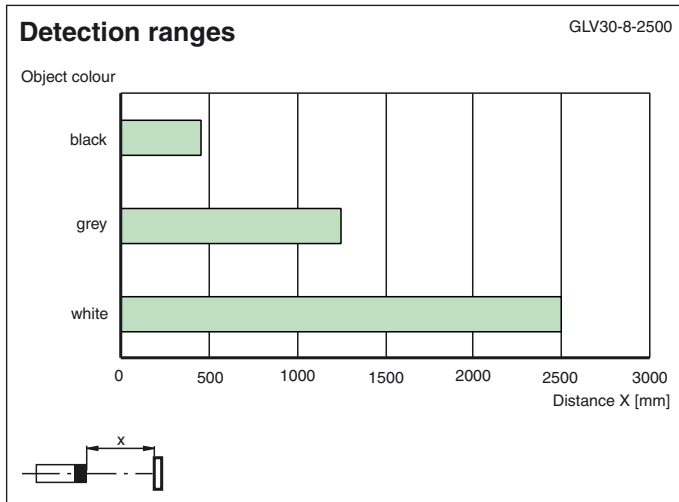
BF 30

Mounting flange, 30 mm

BF 30-F

Plastic mounting adapter, 30 mm

Other suitable accessories can be found at www.pepperl-fuchs.com



Release date: 2019-11-26 15:25 Date of issue: 2019-11-26 419128_eng.xml

Refer to "General Notes Relating to Pepperl+Fuchs Product Information".

Pepperl+Fuchs Group
www.pepperl-fuchs.com

USA: +1 330 486 0001
fa-info@us.pepperl-fuchs.com

Germany: +49 621 776 1111
fa-info@de.pepperl-fuchs.com

Singapore: +65 6779 9091
fa-info@sg.pepperl-fuchs.com