



**Model Number**

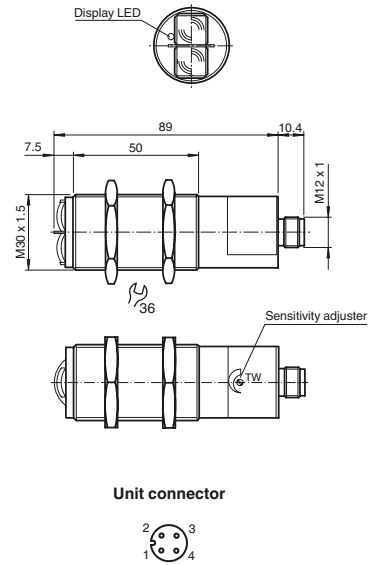
**GLV30-8-2000-2372**

Diffuse mode sensor  
4-pin, M12 x 1 connector

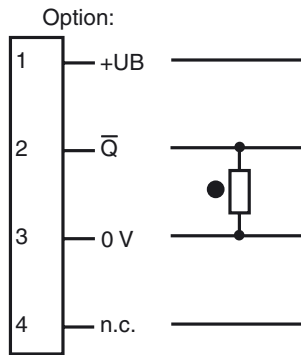
**Features**

- M30 plastic housing
- Dark-On switching

**Dimensions**

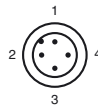


**Electrical connection**



○ = Light on  
● = Dark on

**Pinout**



Wire colors in accordance with EN 60947-5-2

1	BN	(brown)
2	WH	(white)
3	BU	(blue)
4	BK	(black)

Release date: 2019-11-26 15:25 Date of issue: 2019-11-26 419126\_eng.xml

**Technical data****General specifications**

Detection range	100 ... 2500 mm
Adjustment range	750 ... 2500 mm
Light source	IREL
Light type	modulated infrared light
Diameter of the light spot	approx. 450 mm at a distance of 2000 mm
Angle of divergence	$\pm 7^\circ$
Ambient light limit	30000 Lux

**Indicators/operating means**

Function indicator	LED yellow, lights up if receiver is not lit
Control elements	Sensing range adjuster

**Electrical specifications**

Operating voltage	$U_B$	24 V DC $\pm 20\%$
Ripple		10 %
No-load supply current	$I_0$	30 mA

**Output**

Switching type	dark on	
Signal output	1 PNP, short-circuit protected, reverse polarity protected, open collector	
Switching voltage	max. 30 V DC	
Switching current	max. 200 mA	
Switching frequency	f	35 Hz
Response time		10 ms

**Conformity**

Product standard	EN 60947-5-2
------------------	--------------

**Ambient conditions**

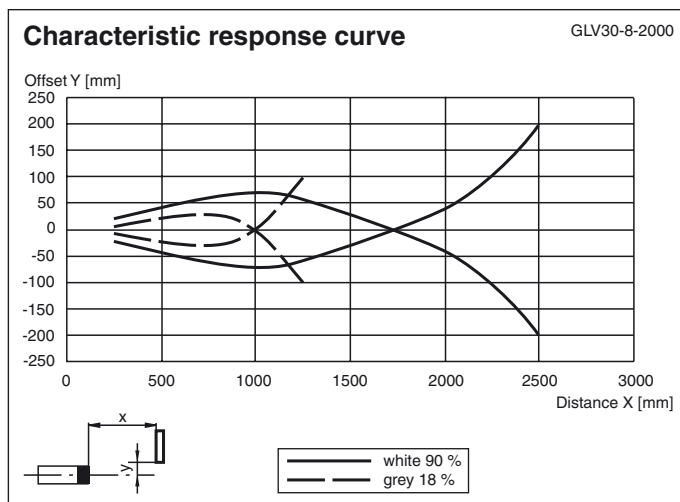
Ambient temperature	-20 ... 60 °C (-4 ... 140 °F)
Storage temperature	-20 ... 75 °C (-4 ... 167 °F)

**Mechanical specifications**

Degree of protection	IP67
Connection	Plastic connector M12 x 1, 4-pin
Material	
Housing	ABS
Optical face	plastic lenses
Mass	approx. 70 g

**Approvals and certificates**

CCC approval	CCC approval / marking not required for products rated $\leq 36$ V
Approvals	CE

**Curves/Diagrams****Accessories****V1-G-2M-PUR**

Female cordset, M12, 4-pin, PUR cable

**V1-W-2M-PUR**

Female cordset, M12, 4-pin, PUR cable

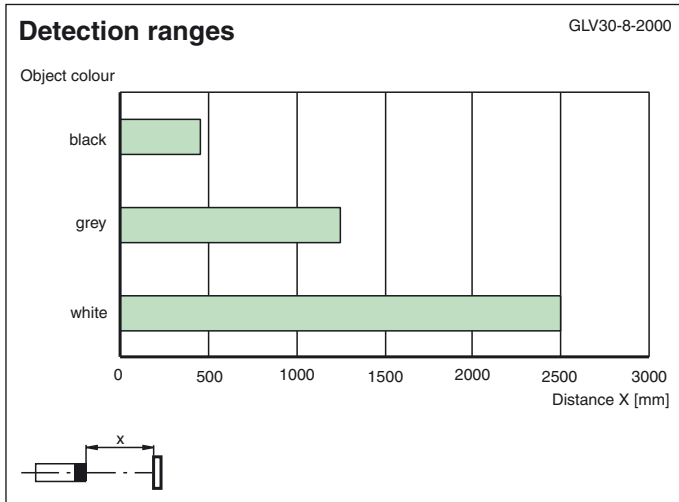
**BF 30**

Mounting flange, 30 mm

**BF 30-F**

Plastic mounting adapter, 30 mm

Other suitable accessories can be found at [www.pepperl-fuchs.com](http://www.pepperl-fuchs.com)



Release date: 2019-11-26 15:25 Date of issue: 2019-11-26 419126\_eng.xml

Refer to "General Notes Relating to Pepperl+Fuchs Product Information".

Pepperl+Fuchs Group  
www.pepperl-fuchs.com

USA: +1 330 486 0001  
fa-info@us.pepperl-fuchs.com

Germany: +49 621 776 1111  
fa-info@de.pepperl-fuchs.com

Singapore: +65 6779 9091  
fa-info@sg.pepperl-fuchs.com