



Model Number

ML7-8-200/25/103/115b

Diffuse mode sensor
with 0.2 m fixed cable and 4-pin, M12
connector

Features

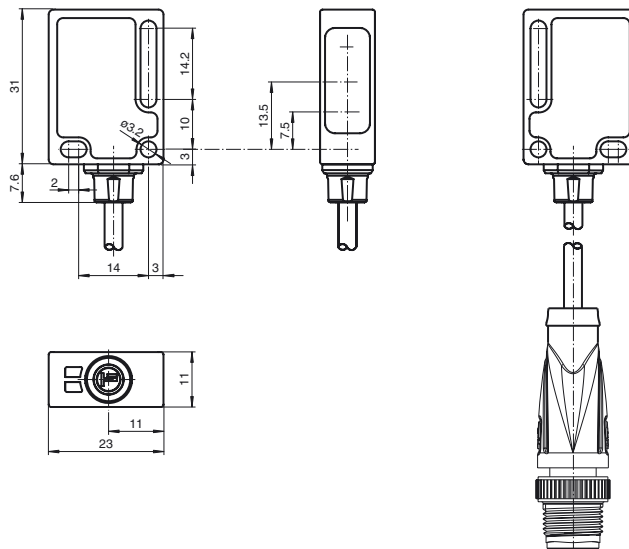
- Miniature design
- Automatic adjustment of sensitivity via TEACH-IN
- Clearly visible function indicators
- Flashing power on LED in case of short-circuit
- Not sensitive to ambient light
- Protected against mutual interference (no cross-talk)

Product information

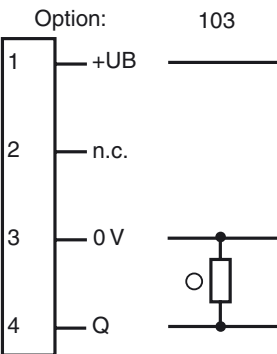
Small, robust, effective, and reliable - these are the properties of the ML7 sensor series. Due to their small size, number of versions, and two different lens positions, they are particularly suited for installation in tight spaces. The robust design and high quality of Pepperl+Fuchs mean they can also be used under harsh environmental conditions. The efficient technology, switching frequencies up to 1000 Hz, high resistance to ambient light, and 4-in-1 output make the series suitable for non-contact object detection.

Release date: 2020-01-15 09:07 Date of issue: 2020-01-15 180803_eng.xml

Dimensions

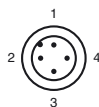


Electrical connection



○ = Light on
● = Dark on

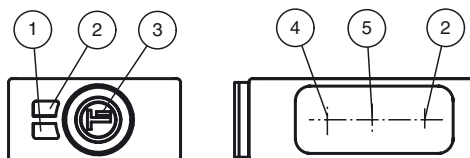
Pinout



Wire colors in accordance with EN 60947-5-2

1	BN	(brown)
2	WH	(white)
3	BU	(blue)
4	BK	(black)

Indicators/operating means



1	Operating display	green
2	Signal display	yellow
3	TEACH-IN button	
4	Emitter	
5	Receiver	

Technical data**General specifications**

Detection range	20 ... 200 mm
Adjustment range	60 ... 200 mm
Reference target	standard white, 100 mm x 100 mm
Light source	LED
Light type	modulated visible red light
Diameter of the light spot	approx. 15 mm at a distance of 200 mm
Angle of divergence	approx. 4.5 °
Ambient light limit	40000 Lux

Functional safety related parameters

MTTF _d	1610 a
Mission Time (T _M)	20 a
Diagnostic Coverage (DC)	0 %

Indicators/operating means

Operation indicator	LED green, flashes in case of short-circuit
Function indicator	LED yellow, lights up with receiver lit
Control elements	Teach-In key

Electrical specifications

Operating voltage	U _B	10 ... 30 V DC , class 2
Ripple		max. 10 %
No-load supply current	I ₀	< 20 mA

Output

Switching type	light on	
Signal output	1 PNP output, short-circuit protected, reverse polarity protected, open collector	
Switching voltage	max. 30 V DC	
Switching current	max. 100 mA	
Voltage drop	U _d	≤ 1.5 V DC
Switching frequency	f	1000 Hz
Response time		0.5 ms

Conformity

Product standard	EN 60947-5-2
------------------	--------------

Ambient conditions

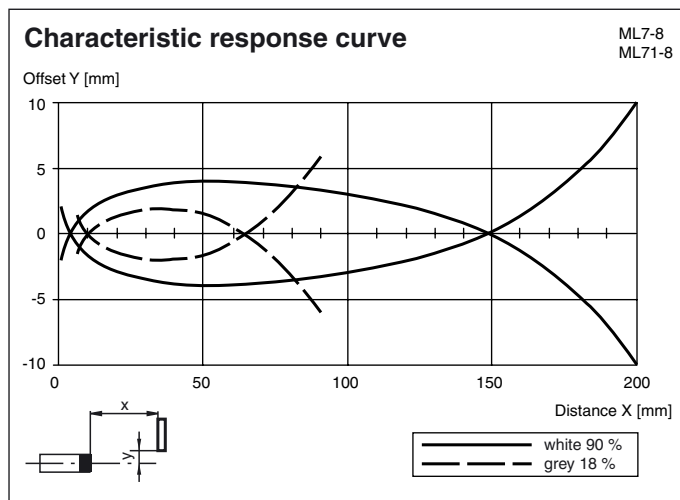
Ambient temperature	-20 ... 60 °C (-4 ... 140 °F)
Storage temperature	-40 ... 75 °C (-40 ... 167 °F)

Mechanical specifications

Housing width	23 mm
Housing height	31 mm
Housing depth	11 mm
Degree of protection	IP67 / IP69K
Connection	fixed cable 200 mm with M12 connector, 4-pin
Material	
Housing	PC (glass-fiber-reinforced Makrolon)
Optical face	PMMA
Mass	approx. 30 g

Approvals and certificates

Protection class	II, rated voltage ≤ 250 V AC with pollution degree 1-2 according to IEC 60664-1
UL approval	cULus
CCC approval	CCC approval / marking not required for products rated ≤ 36 V

Curves/Diagrams**Accessories****Montagekit OMH-ML7-01**

Mounting set consisting of bracket OMH-ML-01 sheet OMH-ML7-03, and fastening material

Montagekit OMH-ML7-02

Mounting set consisting of bracket OMH-ML-02 sheet OMH-ML7-03, and fastening material

OMH-ML7-01

Mounting aid for ML7 and ML8 series, Mounting bracket

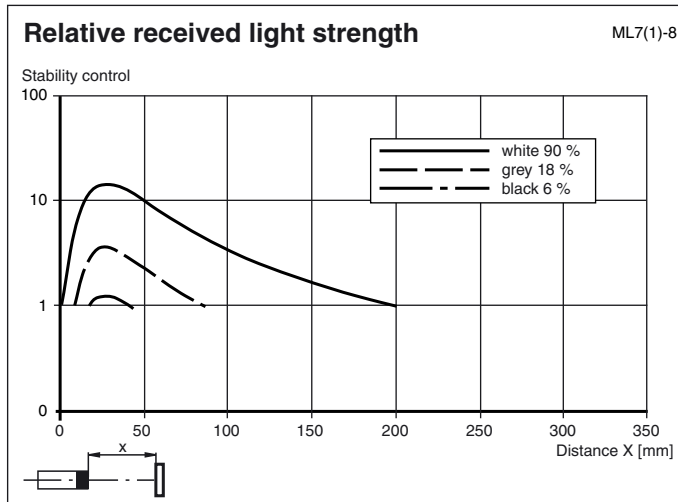
OMH-ML7-02

Mounting aid for ML7 and ML8 series, Mounting bracket

OMH-ML7-03

Mounting aid for ML7 and ML8 series, Fixing plate

Other suitable accessories can be found at www.pepperl-fuchs.com



TEACH-IN

Connect the sensor to operating voltage, the LED green lights up constantly. The sensor operates at max. sensitivity (delivery status) or with the last taught values.

- Adjust the unit to the target.
- Press the TEACH-IN button - as an acknowledge the green LED will switch off shortly for one time.
- Press the TEACH-IN button until both LED's green and yellow are blinking in parallel (2Hz). Release the TEACH-IN button now.
- While the green and yellow LEDs are blinking alternating (2Hz) the unit is in the internal set up procedure.
- **TEACH-IN successful:** Both LEDs green and yellow are on. The unit is ready to use and in switching mode now.
- **TEACH-IN not successful:** Both LEDs are flashing alternating (4Hz) for approx. 5 seconds. Afterwards the sensor returns to max. sensitivity setting. Please retry the TEACH-IN procedure beginning by step 1.