



Model Number

GLV30-LL-1227/40a/53/92

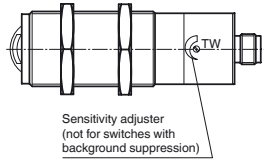
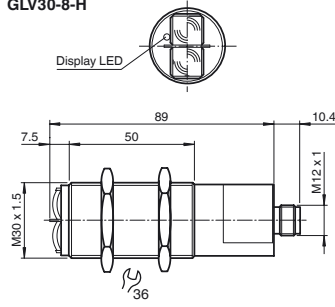
Diffuse mode sensor
4-pin, M12 x 1 connector

Features

- M30 nickel plated brass threaded housing
- Light/dark switching
- For glass fibre light guide
- Extensive fiber optic product selection as accessories

Dimensions

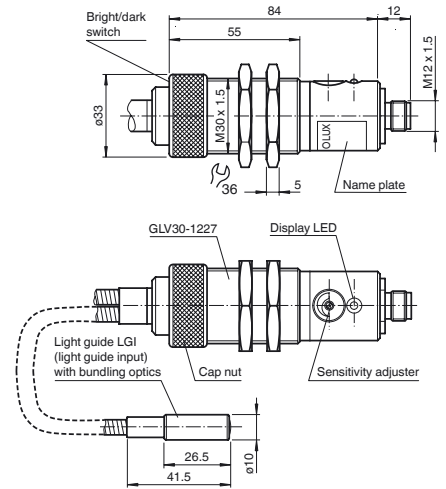
GLV30-8-2500
GLV30-8-H



Unit connector

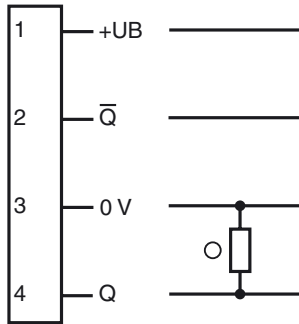


GLV30-LL...



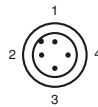
Electrical connection

Option: /53



○ = Light on
● = Dark on

Pinout



Wire colors in accordance with EN 60947-5-2

- | | | |
|---|----|---------|
| 1 | BN | (brown) |
| 2 | WH | (white) |
| 3 | BU | (blue) |
| 4 | BK | (black) |

Release date: 2019-11-26 15:26 Date of issue: 2019-11-26 419648_eng.xml

Refer to "General Notes Relating to Pepperl+Fuchs Product Information".

Pepperl+Fuchs Group
www.pepperl-fuchs.com

USA: +1 330 486 0001
fa-info@us.pepperl-fuchs.com

Germany: +49 621 776 1111
fa-info@de.pepperl-fuchs.com

Singapore: +65 6779 9091
fa-info@sg.pepperl-fuchs.com

Technical data**General specifications**

Detection range	without fiberoptic cable : 0 ... 1700 mm , with fiberoptic cable see selection table for fiberoptic cables
Adjustment range	250 ... 1700 mm (on use without fiberoptics)
Reference target	standard white 200 mm x 200 mm (only for retroreflective fiberoptic cables)
Light source	IRED
Light type	modulated infrared light
Diameter of the light spot	approx. 400 mm at 1700 mm sensor range
Angle of divergence	approx. 15 °
Ambient light limit	50000 Lux

Indicators/operating means

Function indicator	LED yellow, lights up with receiver lit
Control elements	Sensitivity adjuster, light/dark switch

Electrical specifications

Operating voltage	U_B	10 ... 30 V DC
Ripple		10 %
No-load supply current	I_0	40 mA

Output

Switching type	light/dark on
Signal output	1 PNP, not short-circuit protected
Switching voltage	max. 30 V DC
Switching current	max. 500 mA
Response time	2 ms
De-energized delay	t_{off} 7 ms

Conformity

Product standard	EN 60947-5-2
------------------	--------------

Ambient conditions

Ambient temperature	-20 ... 60 °C (-4 ... 140 °F)
Storage temperature	-20 ... 75 °C (-4 ... 167 °F)

Mechanical specifications

Degree of protection	IP65
Connection	4-pin, M12 metal connector
Material	
Housing	brass, nickel-plated
Optical face	glass
Mass	370 g

Approvals and certificates

CCC approval	CCC approval / marking not required for products rated ≤ 36 V
Approvals	CE

Accessories**V1-G-2M-PUR**

Female cordset, M12, 4-pin, PUR cable

V1-W-2M-PUR

Female cordset, M12, 4-pin, PUR cable

BF 30

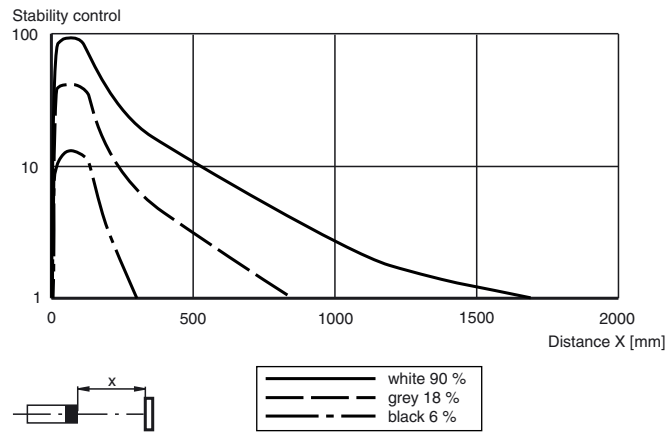
Mounting flange, 30 mm

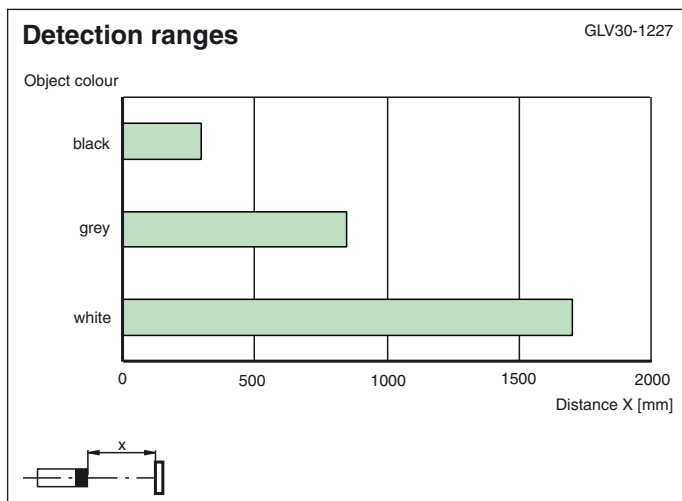
BF 30-F

Plastic mounting adapter, 30 mm

Other suitable accessories can be found at www.pepperl-fuchs.com**Relative received light strength**

GLV30-1227





Selection table for fibre

	Model number	Max. sensing range / detection range in mm	Figure
glass fibre optics, single path with metal-silicone coating	LLE 18/30-2,3-0,5-Z1	420	1
	LLE 18/30-2,3-1,0-Z 1	300	1
	LLE 18/30-2,3-2,0-Z 1	200	1
	LLE 18/30-2,3-1,0-WR	300	2
	LLE 18/30-2,3-0,5-WC3	400	3
	LLE 18/30-2,3-1,0-WC14	300	4
	LLE 18/30-2,3-1,0-WC32	250	5
	LLE 18/30-2,3-1,0-WC5	300	6
	LLE 18/30-2,3-1,0-WC10	300	7
	LLE 18/30-2,3-1,0-WC0	230	8
	LLE 18/30-2,3-1,0-WC20	250	9
	LLE 18/30-2,3-1,0-WC3	300	3
	LLE 18/30-1,6-0,5-Z1	200	1
	LLE 18/30-1,1-2,0-G	100	10
LLE 18/30-2,3-1,5-G	250	10	
glass fibre optics, reflex with metal-silicone coating	LLE 18/30-1,9-0,5-Z1	130	15
	LLE 18/30-1,9-1,0-Z1	120	15
	LLR 18/30-1,9-0,5-WC0	70	16
	LLR 18/30-1,9-1,0-WC2	90	17
	LLR 18/30-1,9-0,5-WC5	90	18
	LLR 18/30-1,9-1,0-WR	90	19
	LLR 18/30-1,9-1,5-G	100	20
	LLR 18/30-1,6-1,0-QW 1x4	70	21
glass fibre optics reflex with metal coating	LMR 18/30-1,9-1,0-Z1	120	15
	LMR 18/30-1,9-3,0-Z1	85	15
	LMR 18/30-1,9-1,5-Z1	100	15

Other lengths and end pieces available on request

Fig. 1

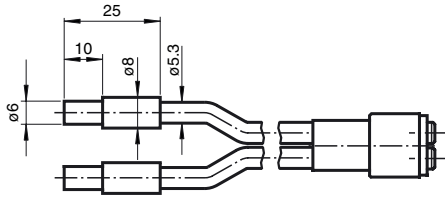


Fig. 5

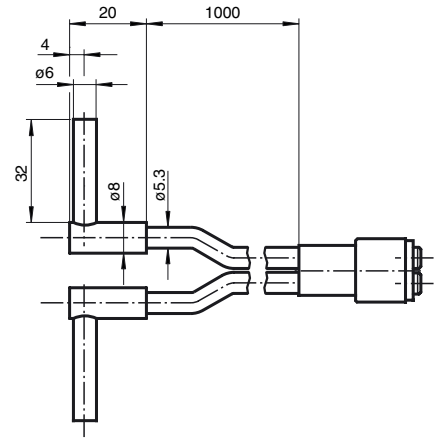


Fig. 2

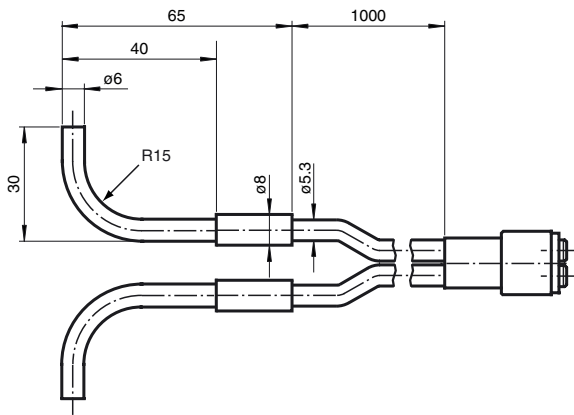


Fig. 6

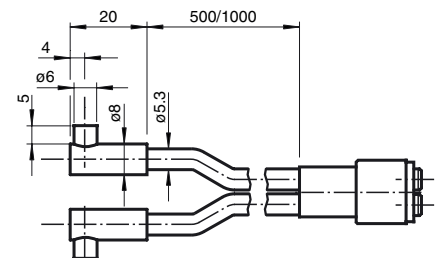


Fig. 3

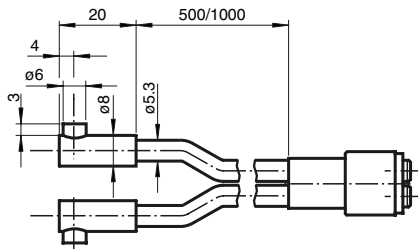


Fig. 7

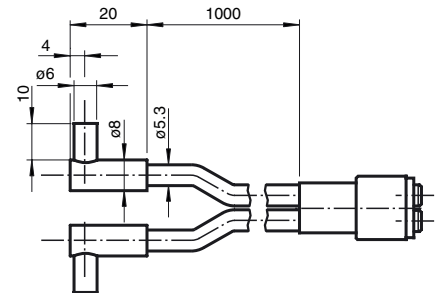


Fig. 4

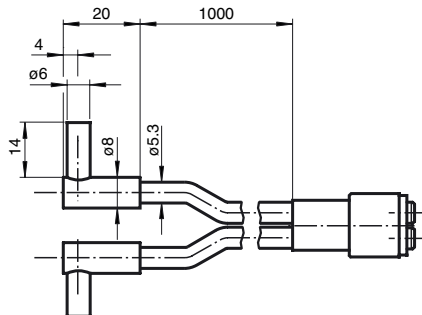
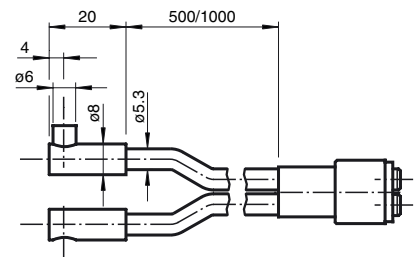


Fig. 8



Release date: 2019-11-26 15:26 Date of issue: 2019-11-26 419648_eng.xml

Fig. 9

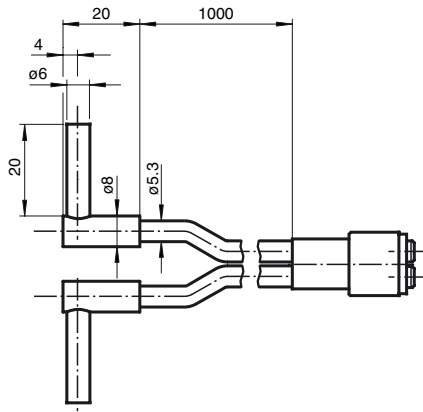


Fig. 13

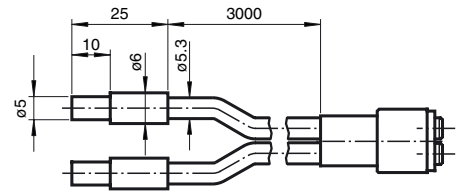


Fig. 10

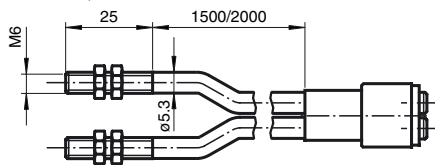


Fig. 14

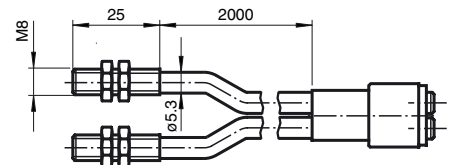


Fig. 11

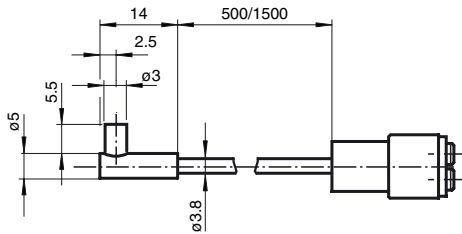


Fig. 15

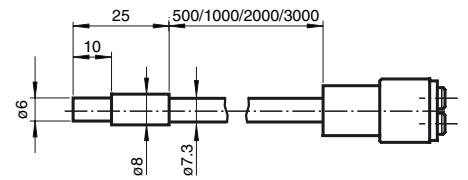


Fig. 12

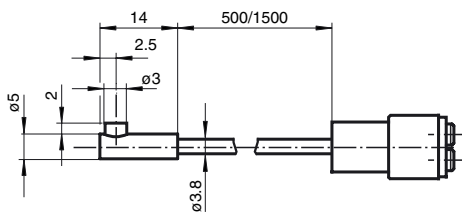
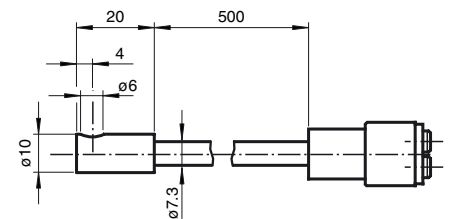


Fig. 16



Release date: 2019-11-26 15:26 Date of issue: 2019-11-26 419648_eng.xml

Refer to "General Notes Relating to Pepperl+Fuchs Product Information".

Pepperl+Fuchs Group
www.pepperl-fuchs.com

USA: +1 330 486 0001
fa-info@us.pepperl-fuchs.com

Germany: +49 621 776 1111
fa-info@de.pepperl-fuchs.com

Singapore: +65 6779 9091
fa-info@sg.pepperl-fuchs.com

PF PEPPERL+FUCHS

Fig. 17

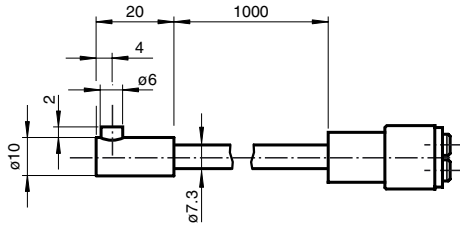


Fig. 20

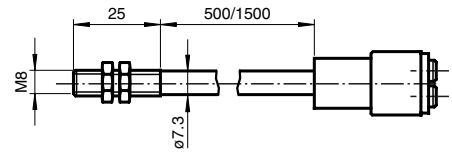


Fig. 18

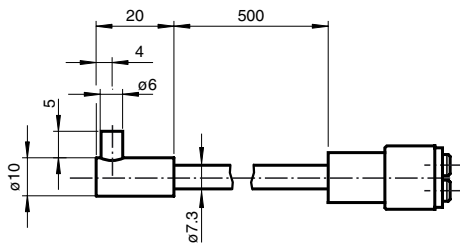


Fig. 21

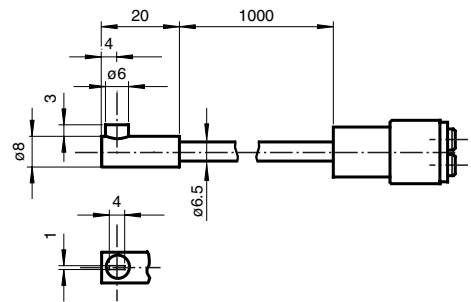
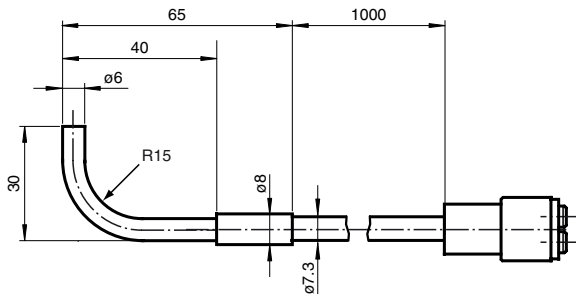


Fig. 19



Release date: 2019-11-26 15:26 Date of issue: 2019-11-26 419648_eng.xml