



**Model Number**

**ML300-8-600-RT/59/102/115**

Diffuse mode sensor  
with 2 m fixed cable

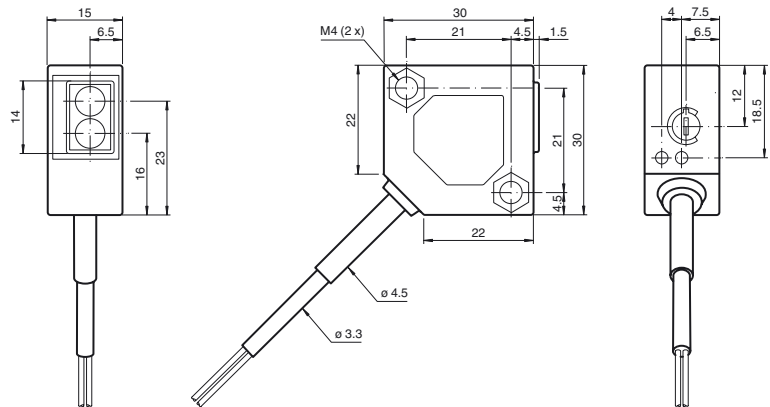
**Features**

- Miniature design
- Easy to use
- Visible red light
- 45° cable connector

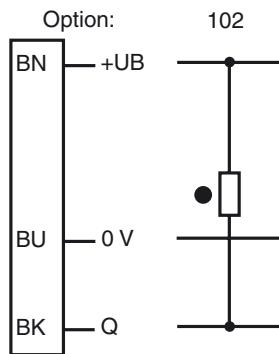
**Product information**

The ML300 series has a robust miniature housing and all the standard functional principles. Of particular note are the sensors with analog output, which return a value proportional to the distance. The 45° plug/cable connection ensures flexible mounting. An LED indicates a weak signal, e.g. due to dirt.

**Dimensions**

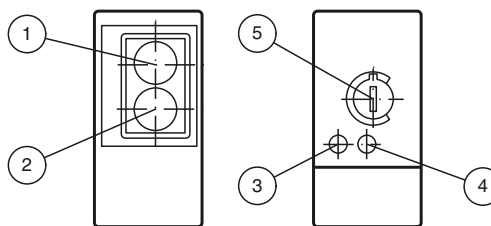


**Electrical connection**



- = Light on
- = Dark on

**Indicators/operating means**



1	Receiver	
2	Emitter	
3	Switching state	yellow
4	Stability control	green
5	Sensing range adjuster	

Release date: 2019-11-26 15:43 Date of issue: 2019-11-26 238181\_eng.xml

Refer to "General Notes Relating to Pepperl+Fuchs Product Information".

**Technical data****General specifications**

Detection range	0 ... 600 mm , adjustable
Adjustment range	150 ... 600 mm
Reference target	standard white 200 mm x 200 mm
Light source	LED
Light type	modulated visible red light , 660 nm
Diameter of the light spot	approx. 130 mm at a distance of 600 mm
Angle of divergence	approx. 13 °
Ambient light limit	
Continuous light	10000 Lux
Modulated light	5000 Lux

**Indicators/operating means**

Function indicator	LED yellow: lights up when output is active LED green: Sufficient stability control
Control elements	Sensing range adjuster

**Electrical specifications**

Operating voltage	$U_B$	10 ... 30 V DC
Ripple		max. 10 %
No-load supply current	$I_0$	max. 30 mA

**Output**

Switching type	dark on	
Signal output	1 NPN output, short-circuit protected, reverse polarity protected, open collector	
Switching voltage	max. 30 V DC	
Switching current	max. 0.1 A	
Voltage drop	$U_d$	$\leq 2$ V DC
Switching frequency	$f$	1000 Hz
Response time		0.5 ms

**Conformity**

Product standard	EN 60947-5-2
------------------	--------------

**Ambient conditions**

Ambient temperature	-25 ... 55 °C (-13 ... 131 °F)
---------------------	--------------------------------

**Mechanical specifications**

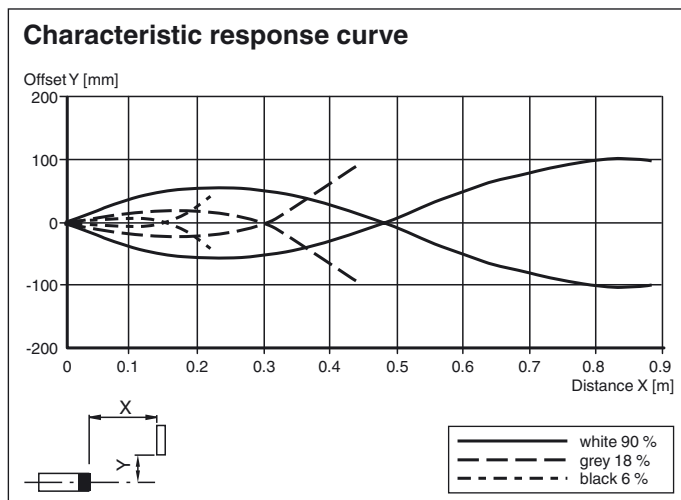
Housing width	30 mm
Housing height	30 mm
Housing depth	15 mm
Degree of protection	IP65
Connection	2 m fixed cable
Material	
Housing	ABS
Optical face	plastic
Cable	PVC
Mass	75 g

**Compliance with standards and directives**

Standard conformity	
Shock and impact resistance	EN 60947-5-7 30 g, 11 ms, all axes
Vibration resistance	EN 60947-5-7, 10-55 Hz/1.5 mm amplitude, all axes

**Approvals and certificates**

CCC approval	CCC approval / marking not required for products rated $\leq 36$ V
--------------	--

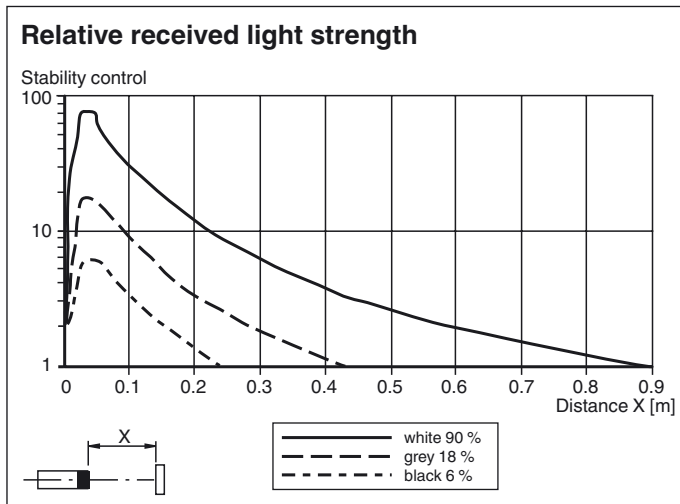
**Curves/Diagrams****Accessories****OMH-ML300-01**

Bracket for mounting ML300 series sensors

**OMH-ML300-02**

Bracket for mounting ML300 series sensors on a 35 mm DIN rail

Other suitable accessories can be found at [www.pepperl-fuchs.com](http://www.pepperl-fuchs.com)



Release date: 2019-11-26 15:43 Date of issue: 2019-11-26 238181\_eng.xml

Refer to "General Notes Relating to Pepperl+Fuchs Product Information".

Pepperl+Fuchs Group  
www.pepperl-fuchs.com

USA: +1 330 486 0001  
fa-info@us.pepperl-fuchs.com

Germany: +49 621 776 1111  
fa-info@de.pepperl-fuchs.com

Singapore: +65 6779 9091  
fa-info@sg.pepperl-fuchs.com