



Model Number

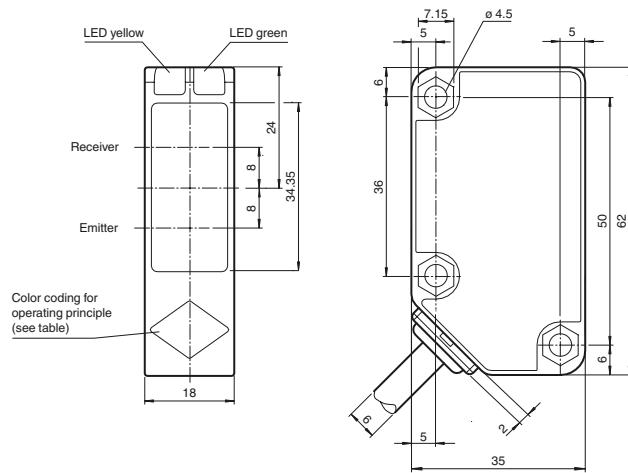
RLK31-8-1200-RT/31/59/115

Diffuse mode sensor
with 2 m fixed cable

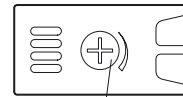
Features

- Operating voltage AC / DC
- Highly visible LED
- Relay output, 1 potential free alternator
- Compact and stable housing
- Protection class II

Dimensions



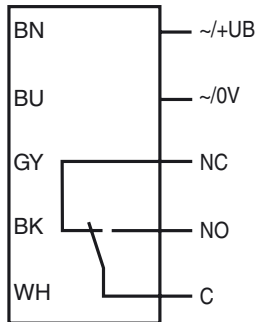
Operating principle	color
Retroreflective sensor	green
Retroreflective sensor without polarization filter	blue
Diffuse type sensor	white
Thru-beam sensor	grey
Convergent beam sensor	red



Sensing range adjustment

Electrical connection

Option:



Release date: 2020-01-20 02:56 Date of issue: 2020-01-20 183063_eng.xml

Technical data**General specifications**

Detection range	0 ... 1200 mm adjustable
Detection range max.	0 ... 1200 mm
Reference target	standard white, 100 mm x 100 mm
Light source	LED
Light type	modulated visible red light , 630 nm
Polarization filter	no
Diameter of the light spot	approx. 25 mm at a distance of 1.2 m
Angle of divergence	2 °
Ambient light limit	50000 Lux ; according EN 60947-5-2

Functional safety related parameters

MTTF _d	790 a
Mission Time (T _M)	20 a
Diagnostic Coverage (DC)	0 %

Indicators/operating means

Operation indicator	LED green: power on
Function indicator	LED yellow, lights up with receiver lit
Control elements	Sensing range adjuster

Electrical specifications

Operating voltage	U _B	24 ... 240 V AC 12 ... 240 V DC
No-load supply current	I ₀	≤ 40 mA
Power consumption	P ₀	≤ 2 VA

Output

Switching type	dark on	
Signal output	Relay, 1 alternator	
Switching voltage	max. 240 V AC/DC	
Switching current	max. 3 A	
Switching power	DC: max. 150 W AC: max. 750 VA	
Switching frequency	f	20 Hz
Response time	≤ 25 ms	

Conformity

Product standard	EN 60947-5-2
------------------	--------------

Ambient conditions

Ambient temperature	-25 ... 55 °C (-13 ... 131 °F)
Storage temperature	-40 ... 70 °C (-40 ... 158 °F)

Mechanical specifications

Housing width	18 mm
Housing height	62 mm
Housing depth	35 mm
Degree of protection	IP67
Connection	2 m fixed cable , 5-wire
Material	
Housing	Polycarbonate
Optical face	PMMA
Mass	155 g

Approvals and certificates

EAC conformity	TR CU 020/2011 TR CU 004/2011
Protection class	II , rated voltage ≤ 250 V AC with pollution degree 1-2 according to IEC 60664-1 Output circuit basis insulation of input circuit according to EN 50178, rated insulation voltage 240 V AC
CCC approval	Certified by China Compulsory Certification (CCC)

Accessories

OMH-RL31-01
Mounting bracket

OMH-RL31-02
Mounting bracket narrow

OMH-RL31-03
Mounting bracket narrow

OMH-RL31-04
Mounting aid for round steel ø 12 mm or sheet 1.5 mm ... 3 mm

OMH-RL31-05
Mounting bracket for mounting on flat surfaces with 2 M4 screws

OMH-RL31-06
Stainless steel mounting bracket with adjustable half clamp on the side

Additional accessories can be found in the Internet.

Curves/Diagrams

