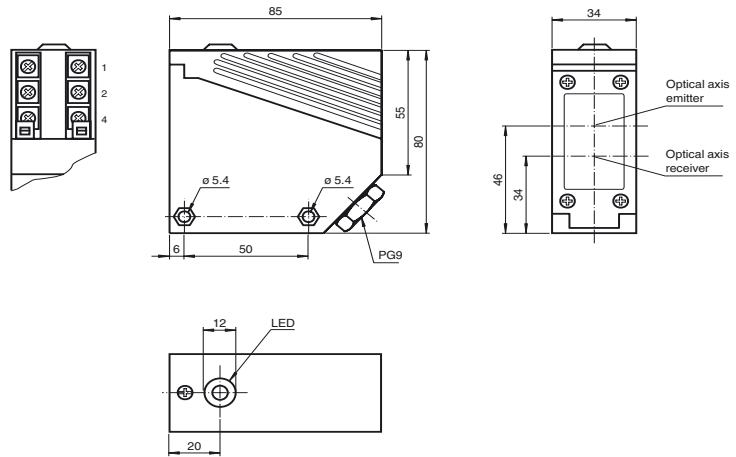




**Dimensions**



**Model Number**

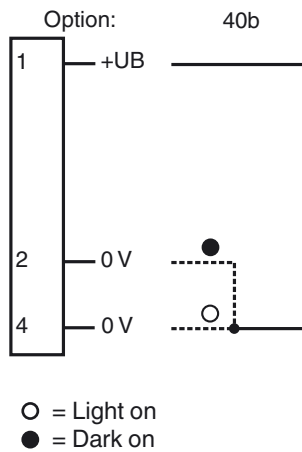
**RL36-8-2000-Ex/40b/116**

Diffuse mode sensor, NAMUR, large housing design, 2000 mm detection range, infrared light, light/dark on, DC version, NAMUR output, terminal compartment

**Features**

- ATEX approval for zone 1 (Gas)
- Intrinsically safe, Ex op is ia IIC T4 Gb
- Resistant against noise
- Diffuse mode sensor for standard applications

**Electrical connection**



Release date: 2016-07-07 15:56 Date of issue: 2016-07-07 106535\_eng.xml

**Technical data****General specifications**

Detection range	0 ... 2000 mm
Adjustment range	350 ... 2000 mm
Reference target	standard white 200 mm x 200 mm
Light source	IRED , 860 nm
Light type	modulated infrared light
Ambient light limit	≤ 10000 Lux sun light ≤ 7500 Lux halogen light
Temperature influence	≤ 5 mm/K

**Functional safety related parameters**

MTTF <sub>d</sub>	1319 a
Mission Time (T <sub>M</sub> )	20 a
Diagnostic Coverage (DC)	0 %

**Indicators/operating means**

Function indicator	LED yellow: switching state
Control elements	Sensing range adjuster

**Electrical specifications**

Operating voltage	U <sub>B</sub>	6 ... 20 V DC (R <sub>i</sub> approx. 0 Ohm)
Ripple		5 %
Time delay before availability	t <sub>v</sub>	20 ms

**Output**

Switching type	light/dark on, programmable	
Signal output	1 NAMUR output NC/NO programmable	
Switching voltage	8 V DC (R <sub>i</sub> approx. 1 kΩ)	
Repeat accuracy	≤ 5 %	
Switching frequency	f	≤ 100 Hz

**Current consumption**

Reference target detected	connection 1, 2: ≤ 1 mA connection 1, 4: ≥ 2.2 mA
Reference target not detected	connection 1, 2: ≥ 2.2 mA connection 1, 4: ≤ 1 mA
Response time	5 ms

**Directive conformity**

Electromagnetic compatibility	
Directive 2014/30/EU	EN 60947-5-2:2007+A1:2012

**Ambient conditions**

Ambient temperature	-25 ... 70 °C (-13 ... 158 °F)
Storage temperature	-40 ... 80 °C (-40 ... 176 °F)

**Mechanical specifications**

Degree of protection	IP54
Connection	terminal compartment PG9, ≤ 2.5 mm <sup>2</sup>
Material	
Housing	PMMA
Optical face	PMMA
Mass	200 g

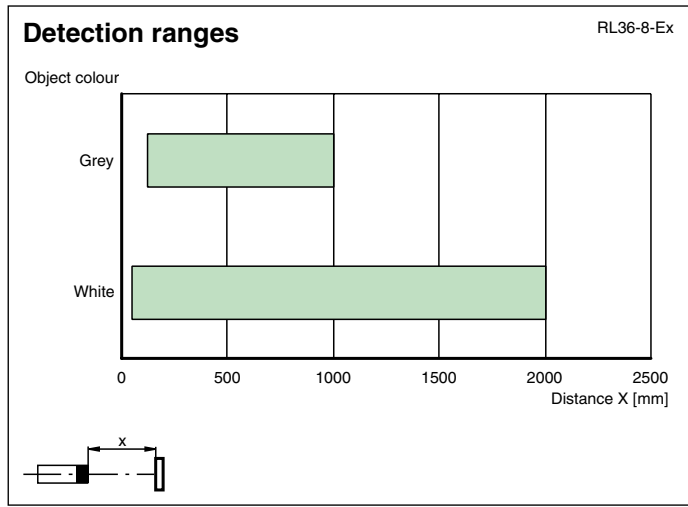
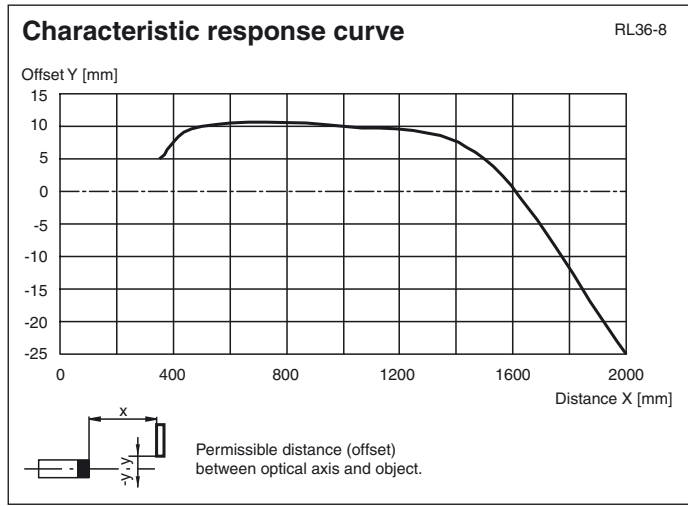
**Compliance with standards and directives**

Standard conformity	
Product standard	EN 60947-5-2
Standards	EN 60947-5-6:2000

**Approvals and certificates**

CCC approval	CCC approval / marking not required for products rated ≤36 V
--------------	--

Curves / Diagrams



Release date: 2016-07-07 15:56 Date of issue: 2016-07-07 106535\_eng.xml

Refer to "General Notes Relating to Pepperl+Fuchs Product Information".