



**Model Number**

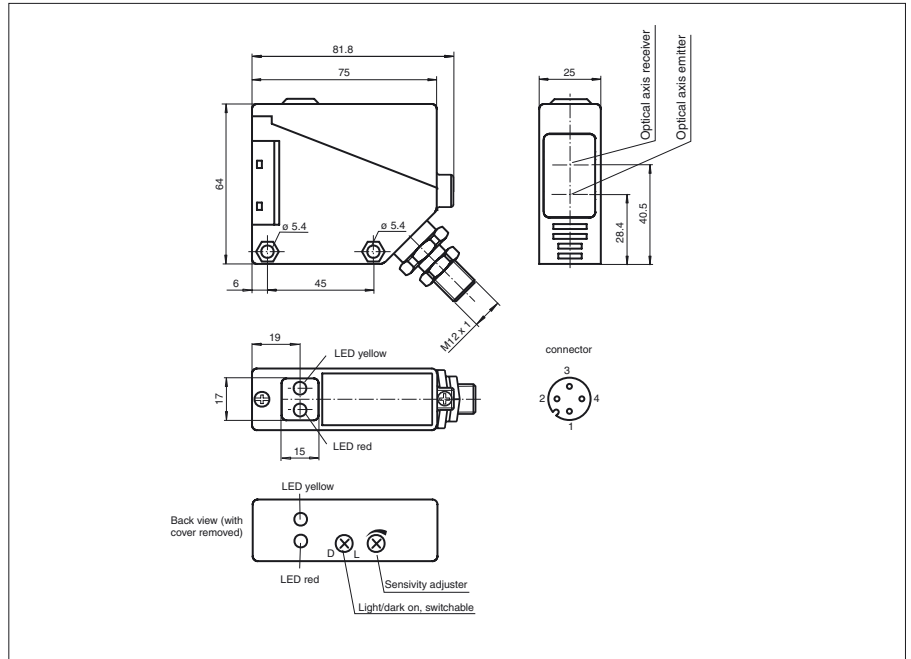
**RL39-8-800/32/40a/73c/82a**

Diffuse mode sensor  
with terminal compartment

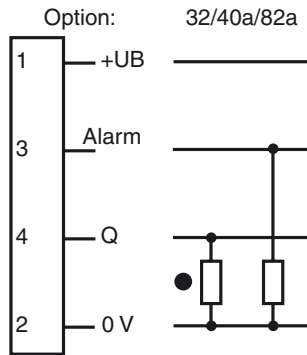
**Features**

- Infrared light
- Light/dark ON, switchable
- Degree of protection IP67

**Dimensions**

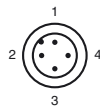


**Electrical connection**



- = Light on
- = Dark on

**Pinout**



Wire colors in accordance with EN 60947-5-2

1	BN	(brown)
2	WH	(white)
3	BU	(blue)
4	BK	(black)

Release date: 2019-11-25 11:15 Date of issue: 2019-11-25 088832\_eng.xml

**Technical data****General specifications**

Detection range	0 ... 800 mm
Adjustment range	150 ... 800 mm
Reference target	standard white 200 mm x 200 mm
Light source	IREL
Light type	modulated infrared light
Ambient light limit	IEC / EN 60947-5-2 , 10000 Lux

**Functional safety related parameters**

MTTF <sub>d</sub>	916 a
Mission Time (T <sub>M</sub> )	20 a
Diagnostic Coverage (DC)	0 %

**Indicators/operating means**

Function indicator	LED yellow: switching state LED red: pre-fault indication
Control elements	Sensing range adjuster, light-on/dark-on changeover switch

**Electrical specifications**

Operating voltage	U <sub>B</sub>	10 ... 30 V DC
Ripple		10 %
No-load supply current	I <sub>0</sub>	≤ 20 mA
Time delay before availability	t <sub>v</sub>	≤ 300 ms

**Output**

Pre-fault indication output	1 PNP, active when falling short of the stability control	
Switching type	light/dark on	
Signal output	1 PNP output, short-circuit protected, reverse polarity protected, open collector	
Switching voltage	max. 30 V DC	
Switching current	max. 200 mA , resistive load	
Voltage drop	U <sub>d</sub>	≤ 3 V
Switching frequency	f	≤ 300 Hz
Response time		≤ 1.5 ms

**Conformity**

Product standard	EN 60947-5-2
------------------	--------------

**Ambient conditions**

Ambient temperature	-25 ... 55 °C (-13 ... 131 °F)
Storage temperature	-40 ... 70 °C (-40 ... 158 °F)

**Mechanical specifications**

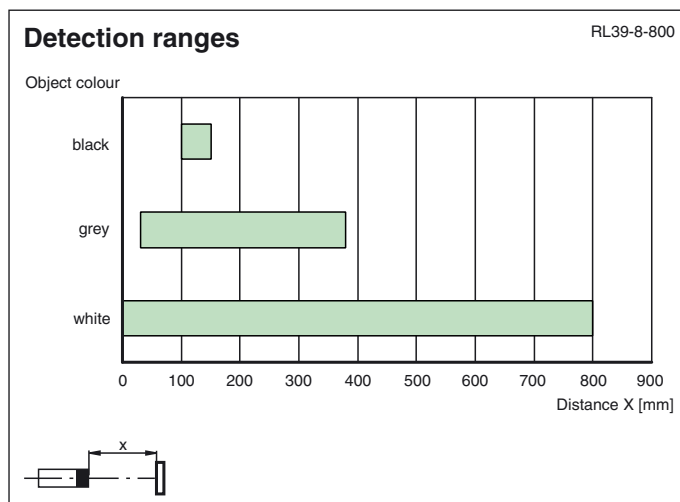
Housing width	25 mm
Housing height	64 mm
Housing depth	75 mm
Degree of protection	IP67
Connection	4-pin, M12 x 1 connector
Material	
Housing	PBT
Optical face	PMMA
Mass	approx. 100 g

**General information**

Scope of delivery	Mounting aid
-------------------	--------------

**Approvals and certificates**

CCC approval	CCC approval / marking not required for products rated ≤36 V
Approvals	CE

**Curves/Diagrams****Accessories****V1-G-2M-PUR**

Female cordset, M12, 4-pin, PUR cable

**V1-W-2M-PUR**

Female cordset, M12, 4-pin, PUR cable

## Additional Information

### Conventional use:

The reflex light scanner contains the emitter and receiver in a single housing. The light from transmitter is beamed back from the recorded object is evaluated by the receiver. The detection range depend on the object colour. With dark or very small objects the detection range reduces.

### Mounting instructions:

The sensor can be fastened over the through-holes directly or with the included mounting bracket. The base surface must be flat to avoid distorting the housing during mounting. It is advisable to secure the bolts and screws with washers so that the sensor does not become misaligned.

### Instructions for adjustment:

Adjust the sensor on the background. If the yellow LED illuminates, the detection range needs to be reduced with the detection range adjuster, until the yellow LED goes off.

### Object detection check:

Position the object into the light beam. Position light spot on object. If the object is detected, the yellow LED illuminated. If it does not light up, further to adjust the detection range with the potentiometer, until the yellow LED lights up. The red LED flashes if reception deteriorates (e.g. soiled lenses or by maladjustment) and when falling short of the stability control.

### Illustration:

We recommend that you clean the optical interfaces and check the plug-in connections and screw connections at regular intervals.