



Model Number

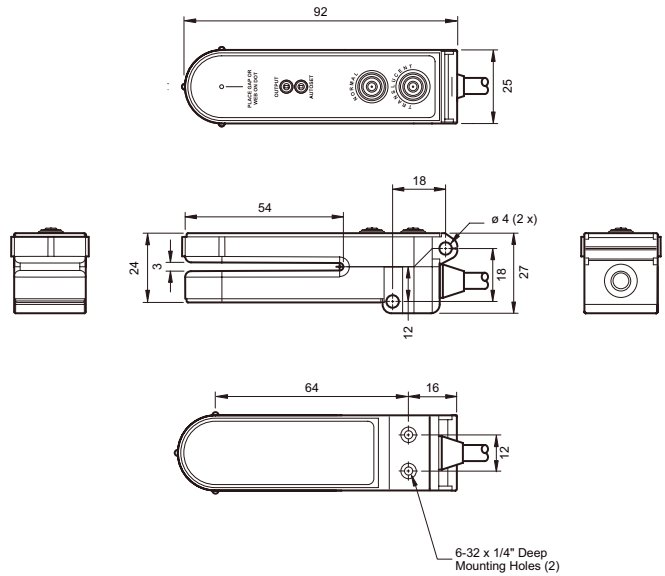
GLD3-RT/115/147

Photoelectric slot sensor
with 2 m fixed cable

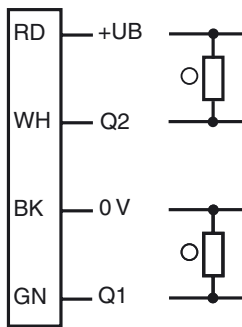
Features

- Push-button programmable
- Adjustable sensitivity
- Detection of paper and foil labels, including translucent varieties

Dimensions



Electrical connection



○ = Light on
● = Dark on

Release date: 2020-01-14 20:57 Date of issue: 2020-01-14 911540_eng.xml

Refer to "General Notes Relating to Pepperl+Fuchs Product Information".

Pepperl+Fuchs Group
www.pepperl-fuchs.com

USA: +1 330 486 0001
fa-info@us.pepperl-fuchs.com

Germany: +49 621 776 1111
fa-info@de.pepperl-fuchs.com

Singapore: +65 6779 9091
fa-info@sg.pepperl-fuchs.com

Technical data**General specifications**

Light source	LED
Light type	modulated visible red light
Slot width	3 mm
Slot depth	54 mm

Indicators/operating means

Function indicator	2 LEDs
--------------------	--------

Electrical specifications

Operating voltage	U_B	10 ... 30 V DC
Ripple		10 %
No-load supply current	I_0	≤ 45 mA

Output

Switching type	light/dark on	
Signal output	1 NPN and 1 PNP Short circuit and overload protected Reverse polarity protected	
Switching current	max. 150 mA	
Voltage drop	U_d	≤ 1.5 V
Switching frequency	f	5 kHz
Response time		≤ 100 μs

Conformity

Product standard	EN 60947-5-2
------------------	--------------

Ambient conditions

Ambient temperature	-40 ... 70 °C (-40 ... 158 °F)
Storage temperature	-40 ... 70 °C (-40 ... 158 °F)

Mechanical specifications

Housing width	25 mm
Housing height	27.21 mm
Degree of protection	IP66
Connection	2 m fixed cable
Material	
Housing	Thermoplastic PPS
Optical face	zylex
Cable	PVC
Mass	82.21 g

Approvals and certificates

UL approval	cULus
CCC approval	CCC approval / marking not required for products rated ≤36 V
Approvals	CE
USA	cULus
Canada	cULus

GLD3 series programming**Programming standard labels:**

1. Use the external alignment guides on the sensor housing to position the alignment dot over the label gap
2. Push the teach button labeled "Normal" for 1 second
3. The green Autoset LED will blink several times very fast during the teach process
If the teach is successful, the green Autoset LED will be ON.

If the teach is not successful, both the green Autoset LED and the red Output LED will blink 2 times very slow, then the green Autoset LED will be ON.

Programming translucent labels:

1. Use the external alignment guides on the sensor housing to position the alignment dot over the label gap
2. Push the teach button labeled "Translucent" for 1 second
3. The green Autoset LED will blink several times very fast during the teach process
If the teach is successful, the green Autoset LED will be ON.

If the teach is not successful, both the green Autoset LED and the red Output LED will blink 2 times very slow, then the green Autoset LED will be ON.

Light On/Dark On:

The output of the sensor can be inverted by pressing both the Normal button and Translucent simultaneously. The red Output LED and the sensors output will change states.