



**Model Number**

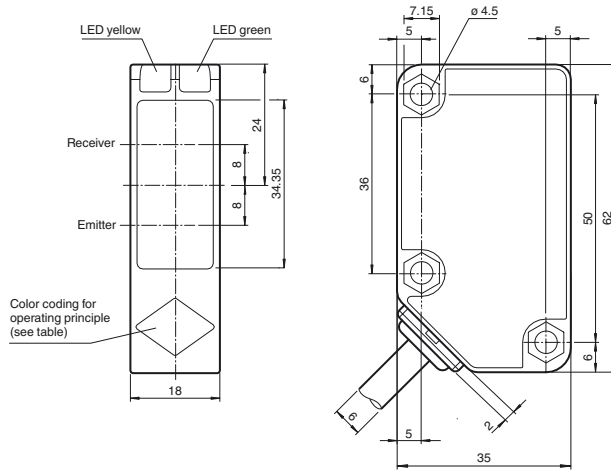
**RLK31-54/25/31/115**

Retroreflective sensor  
with 2 m fixed cable

**Features**

- Cost-optimized series for standard tasks
- Large construction with small housing
- Version for universal voltages
- Relay output

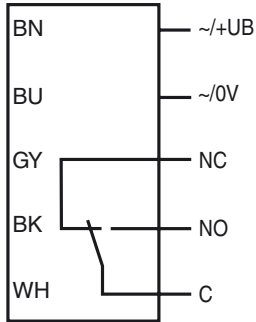
**Dimensions**



| Operating principle                               | color |
|---|-------|
| Retroreflective sensor with polarisation filter   | green |
| Retroreflective sensor                            | blue  |
| Diffusive mode sensor                             | white |
| Thru -beam sensor                                 | grey  |
| Diffusive mode sensor with background suppression | red   |

**Electrical connection**

Option:



Release date: 2020-01-20 02:34 Date of issue: 2020-01-20 183065\_eng.xml

Refer to "General Notes Relating to Pepperl+Fuchs Product Information".

**Technical data****General specifications**

|                            |                                      |
|----------------------------|--------------------------------------|
| Effective detection range  | 0 ... 9000 mm                        |
| Reflector distance         | 20 ... 9000 mm                       |
| Threshold detection range  | 12 m                                 |
| Reference target           | reflector C110-2                     |
| Light source               | LED                                  |
| Light type                 | modulated visible red light , 630 nm |
| Polarization filter        | yes                                  |
| Diameter of the light spot | approx. 200 mm at a distance of 6 m  |
| Angle of divergence        | 3 °                                  |
| Ambient light limit        | 50000 Lux                            |

**Functional safety related parameters**

|                                |       |
|--------------------------------|-------|
| MTTF <sub>d</sub>              | 790 a |
| Mission Time (T <sub>M</sub> ) | 20 a  |
| Diagnostic Coverage (DC)       | 0 %   |

**Indicators/operating means**

|                     |   |
|---------------------|---|
| Operation indicator | LED green: power on   |
| Function indicator  | LED yellow:<br>1. LED lit constantly: signal > 2 x switching point (function reserve)<br>2. LED flashes: signal between 1 x switching point and 2 x switching point<br>3. LED off: signal < switching point |

**Electrical specifications**

|                        |                |                                    |
|------------------------|----------------|------------------------------------|
| Operating voltage      | U <sub>B</sub> | 24 ... 240 V AC<br>12 ... 240 V DC |
| No-load supply current | I <sub>0</sub> | ≤ 40 mA                            |
| Power consumption      | P <sub>0</sub> | ≤ 2 VA                             |

**Output**

|                     |                                |       |
|---------------------|--------------------------------|-------|
| Switching type      | light on                       |       |
| Signal output       | Relay, 1 alternator            |       |
| Switching voltage   | max. 240 V AC                  |       |
| Switching current   | max. 3 A                       |       |
| Switching power     | DC: max. 150 W AC: max. 750 VA |       |
| Switching frequency | f                              | 20 Hz |
| Response time       | ≤ 25 ms                        |       |

**Conformity**

|                  |              |
|------------------|--------------|
| Product standard | EN 60947-5-2 |
|------------------|--------------|

**Ambient conditions**

|                     |                                |
|---------------------|--------------------------------|
| Ambient temperature | -25 ... 55 °C (-13 ... 131 °F) |
| Storage temperature | -40 ... 70 °C (-40 ... 158 °F) |

**Mechanical specifications**

|                      |                 |
|----------------------|-----------------|
| Housing width        | 18 mm           |
| Housing height       | 62 mm           |
| Housing depth        | 35 mm           |
| Degree of protection | IP67            |
| Connection           | 2 m fixed cable |
| Material             |                 |
| Housing              | Polycarbonate   |
| Optical face         | PMMA            |
| Mass                 | 154 g           |

**Approvals and certificates**

|                  |  |
|------------------|--|
| EAC conformity   | TR CU 020/2011<br>TR CU 004/2011   |
| Protection class | II , rated voltage ≤ 250 V AC with pollution degree 1-2 according to IEC 60664-1 Output circuit basis insulation of input circuit according to EN 50178, rated insulation voltage 240 V AC |
| CCC approval     | Certified by China Compulsory Certification (CCC)  |

**Accessories**

**OMH-RL31-01**  
Mounting bracket

**OMH-RL31-02**  
Mounting bracket narrow

**OMH-RL31-03**  
Mounting bracket narrow

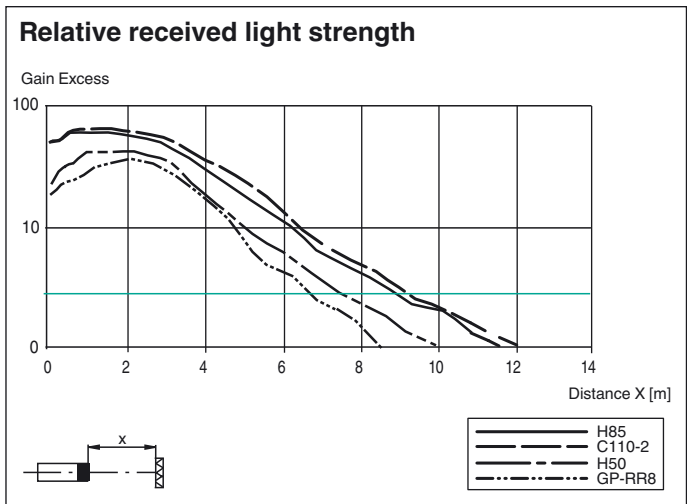
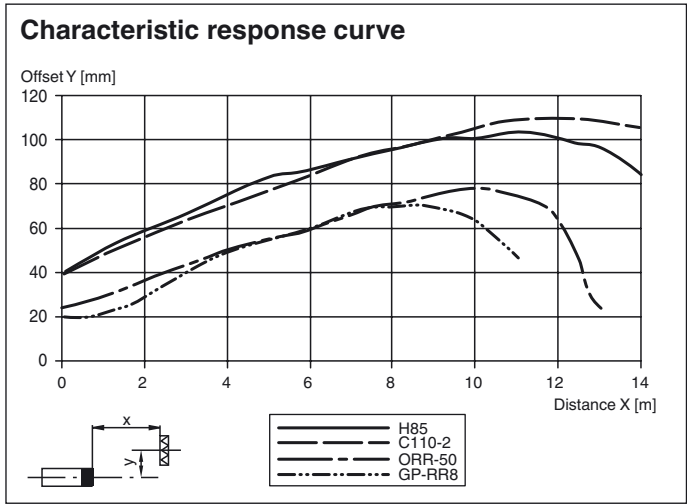
**OMH-RL31-04**  
Mounting aid for round steel ø 12 mm or sheet 1.5 mm ... 3 mm

**OMH-RL31-05**  
Mounting bracket for mounting on flat surfaces with 2 M4 screws

**OMH-RL31-06**  
Stainless steel mounting bracket with adjustable half clamp on the side

Suitable reflectors and cable sockets can be found in the Internet

**Curves/Diagrams**



Release date: 2020-01-20 02:34 Date of issue: 2020-01-20 183085\_eng.xml

Refer to "General Notes Relating to Pepperl+Fuchs Product Information".