



Model Number

RLK29-55/59/116-Set

Retroreflective sensor
With terminal compartment; with mounting materials

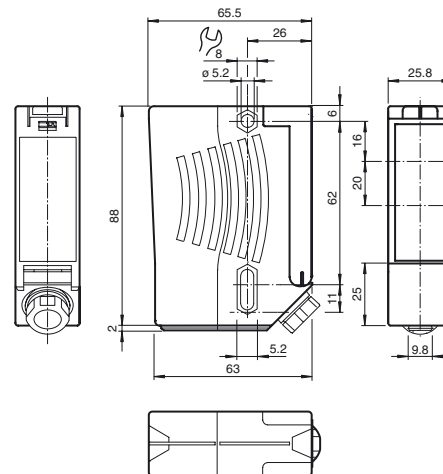
Features

- Robust, compact photoelectric sensor for single-beam gate protection
- Not sensitive to ambient light, even with energy saving lamps
- Tamper-proof, no operating controls
- Version for universal voltages
- Relay output
- Version with accessories in scope of delivery

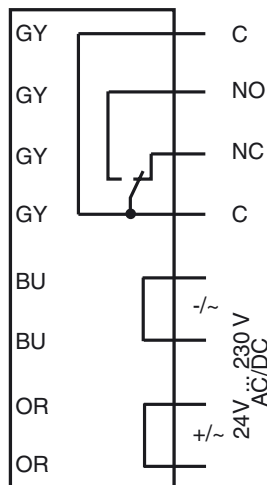
Product information

Series 29 is a range of low-cost and, most importantly, reliable photoelectric sensors for monitoring industrial doors, elevators, and automatic gates. Their high degree of protection makes them the ideal solution for tasks outdoors and at thresholds, and in harsh environments. These "universal-voltage sensors" can be operated with any supply voltage from 24 V to 240 V, and with direct current or alternating current.

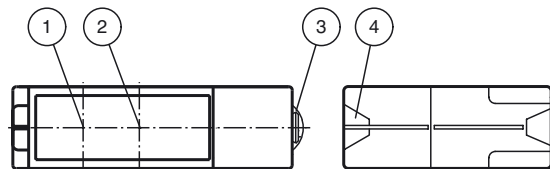
Dimensions



Electrical connection



Indicators/operating means



1	Emitter	
2	Receiver	
3	Dovetail mount	
4	Functional display	yellow

Release date: 2019-12-18 11:38 Date of issue: 2019-12-18 128116_eng.xml

Refer to "General Notes Relating to Pepperl+Fuchs Product Information".

Technical data**General specifications**

Effective detection range	0 ... 12 m
Reflector distance	0.04 ... 12 m
Threshold detection range	14 m
Reference target	reflector C110-2
Light source	LED
Light type	modulated visible red light , 640 nm
Diameter of the light spot	approx. 35 mm at a distance of 12 m
Angle of divergence	± 1 °
Ambient light limit	90000 Lux
Accessories provided	reflector C110-2 , Mounting bracket with mounting materials

Functional safety related parameters

MTTF _d	1460 a
Mission Time (T _M)	20 a
Diagnostic Coverage (DC)	0 %

Indicators/operating means

Function indicator	LED red illuminates: when beam is free flashes: when level falls below function reserve off: when beam is interrupted
--------------------	--

Electrical specifications

Operating voltage	U _B	24 ... 230 V AC/DC
Ripple		10 %
No-load supply current	I ₀	≤ 8.5 mA
Power consumption	P ₀	0.2 W at 24 V DC , 1.8 W at 230 V AC 3 VA

Output

Switching type		dark on
Signal output		Relay, 1 alternator
Switching voltage		230 V AC
Switching current		max. 2 A
Switching frequency	f	7 Hz
Response time		50 ms

Conformity

Product standard	EN 60947-5-2
------------------	--------------

Ambient conditions

Ambient temperature	-20 ... 60 °C (-4 ... 140 °F)
Storage temperature	-30 ... 70 °C (-22 ... 158 °F)

Mechanical specifications

Degree of protection	IP67
Connection	terminal compartment
Material	
Housing	Plastic ABS, flame resistant
Optical face	Plastic pane
Mass	100.7 g
Note	Safety fuse ≤ 2 A (slow-blow) according to IEC 60127-2 Sheet 1 Recommendation: after a short circuit, check that the device is functioning correctly.

Approvals and certificates

CE conformity	yes
EAC conformity	TR CU 020/2011 TR CU 004/2011
UL approval	cULus Listed Caution: This equipment is considered as open-type equipment. It must be mounted within an enclosure, that is suitably designed for protection against internal fire and personal injury resulting from accessibility to live parts according UL 508.
CCC approval	Certified by China Compulsory Certification (CCC)

Typical applications

- Monitoring closing edges of automatic industrial doors and elevators
- Monitoring the swing range of automatic gates
- Detecting and tracking objects in material handling

Detection area**Accessories****OMH-RLK29**

Mounting bracket

OMH-RLK29-HW

Mounting bracket for rear wall mounting

OMH-RLK29-HW-120

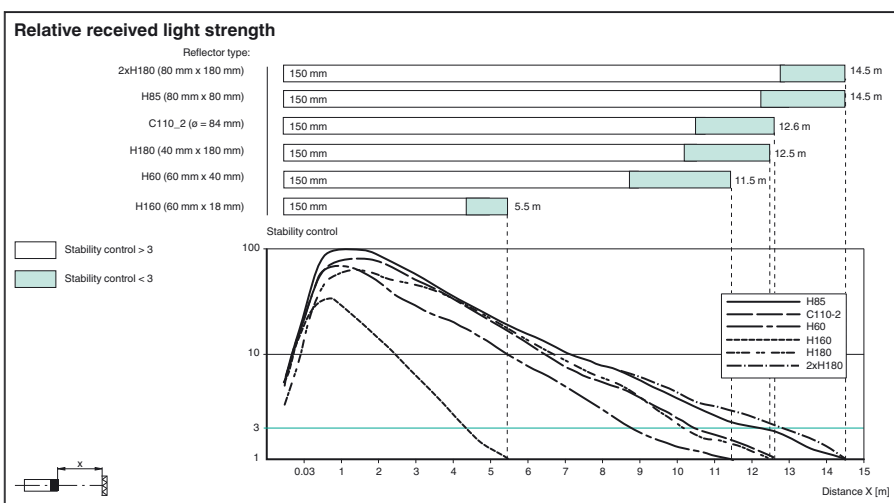
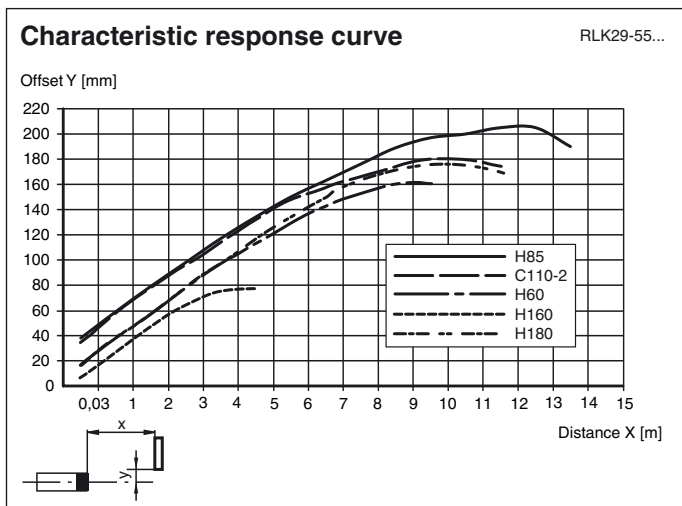
Mounting bracket for rear wall mounting

OMH-21

Mounting bracket

Other suitable accessories can be found at www.pepperl-fuchs.com

Curves/Diagrams



Release date: 2019-12-18 11:38 Date of issue: 2019-12-18 128116_eng.xml

Refer to "General Notes Relating to Pepperl+Fuchs Product Information".