



Model Number

GL5-Y/43a/115-5M

Photoelectric slot sensor
with 5 m fixed cable

Features

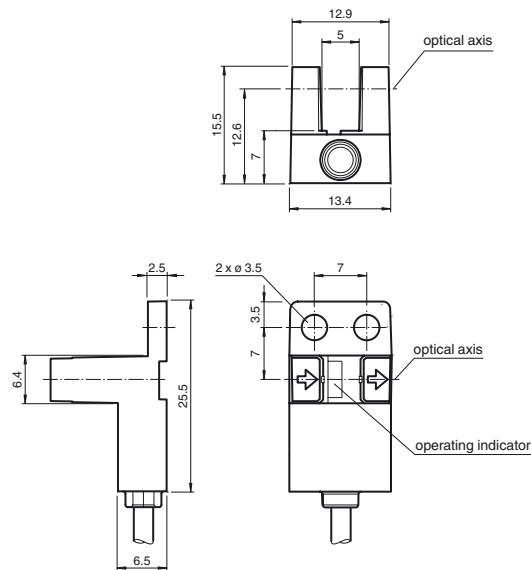
- Miniature design
- Optimized for the detection of small parts
- High switching frequency
- Simple and fast mounting
- Clearly visible LED functional display

Product information

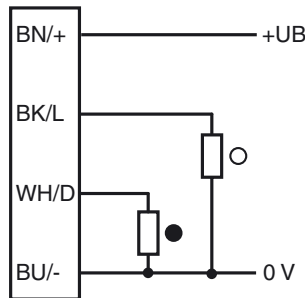
The GL5 miniature slot sensor compares a high optical performance in a small housing and is optimized to the requirements in semi-conductors industry for small part detection. A wide voltage range of 5 - 24 V DC and the fastest switching frequency of 5 kHz in its class stands for the quality of this sensor. The integrated aperture allows the small part detection with a minimum object size of 0.8 x 1.8 mm. The sensor offers antivalent npn or pnp outputs. Due to a variety of different housings and an optimized housing concept offers the sensor a maximum of freedom in a crowded mounting environment.

Release date: 2017-10-05 08:40 Date of issue: 2017-10-05 311661_eng.xml

Dimensions



Electrical connection



- = Light on
- = Dark on

Technical data**General specifications**

Light source	IREL
Light type	Infrared, continuous light , 940 nm
Target size	0.8 x 1.8 mm
Slot width	5 mm
Slot depth	8.5 mm
Ambient light limit	1000 Lux

Functional safety related parameters

MTTF _d	3760 a
Mission Time (T _M)	20 a
Diagnostic Coverage (DC)	0 %

Indicators/operating means

Function indicator	red LED lights up when receiving the light beam
--------------------	---

Electrical specifications

Operating voltage	U _B	5 ... 24 V DC , class 2
No-load supply current	I ₀	max. 20 mA
Time delay before availability	t _v	< 2 ms

Output

Switching type	light/dark on	
Signal output	2 PNP complementary , overvoltage protected	
Switching voltage	max. 30 V DC	
Switching current	max. 50 mA , resistive load	
Voltage drop	U _d	max. 0.2 V at 10 mA max. 0.6 V at 50 mA
Switching frequency	f	max. 5 kHz
Response time		40 μs Light beam is not interrupted 80 μs Light beam is interrupted
Repeat accuracy	R	0.03 mm

Ambient conditions

Ambient temperature	-25 ... 55 °C (-13 ... 131 °F)
Storage temperature	-30 ... 80 °C (-22 ... 176 °F)
Pollution degree	2

Mechanical specifications

Housing width	25.5 mm
Housing height	13.4 mm
Degree of protection	IP50
Connection	5 m fixed cable
Material	
Housing	PBT
Mass	25 g
Tightening torque, fastening screws	0.6 Nm
Cable length	5 m

Compliance with standards and directives

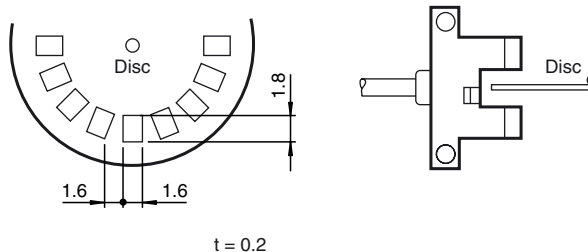
Directive conformity	
EMC Directive 2004/108/EC	EN 60947-5-2:2007+A1:2012
Standard conformity	
Standards	UL 60947-5-2

Approvals and certificates

UL approval	cULus Recognized, Class 2 Power Source
CCC approval	CCC approval / marking not required for products rated ≤36 V

Response frequency

The response frequency is the value when the disc, given in the figure below, is rotated.

**Applications**

The GL5 is suited for applications in the semiconductor and electronic industrial environment.

Typical applications include:

1. Detection of lead frames
2. Detection of cam positions
3. Detection of limit positions of moving objects
4. Position detection of wafer cases