



Model Number

GLP50-RT/40b/103/123/143

Photoelectric slot sensor with 4-pin, M8 x 1 connector

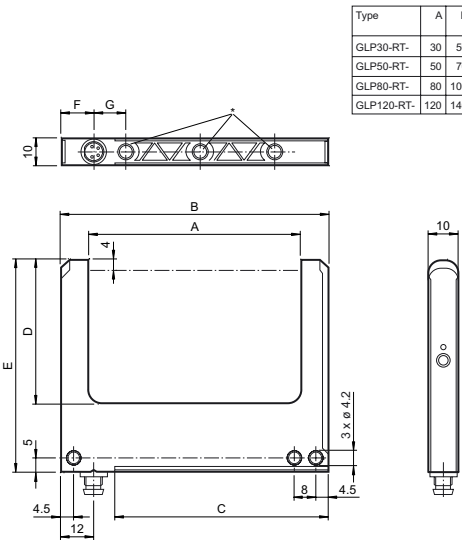
Features

- Plastic version
- Clearly visible function indicators
- External TEACH-IN
- Degree of protection IP67

Product information

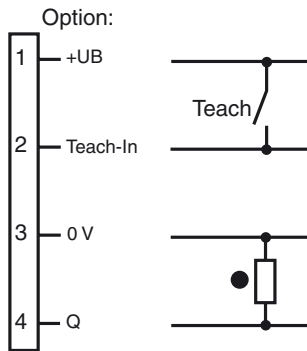
An extremely favorable price/performance ratio and an innovative display concept characterize the GLP series. The switching states are visible from all directions. The optional attachment holes or dove tail joint significantly increase installation flexibility. The external, dynamic Teach-In function allows you to teach in moving objects easily.

Dimensions



| Type | A | B | C | D | E | F | G | Number of mounting holes M4* |
|------------|-----|-----|-----|----|------|----|--------|------------------------------|
| GLP30-RT- | 30 | 50 | 30 | 34 | 59.5 | 20 | - | 1 |
| GLP50-RT- | 50 | 70 | 50 | 54 | 79.5 | 20 | - | 2 |
| GLP80-RT- | 80 | 100 | 80 | 54 | 79.5 | 20 | 2 x 28 | 3 |
| GLP120-RT- | 120 | 140 | 120 | 54 | 79.5 | 20 | 3 x 28 | 4 |

Electrical connection



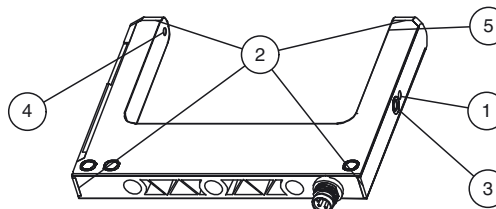
○ = Light on
● = Dark on

Pinout

Wire colors in accordance with EN 60947-5-2

| | | |
|---|----|---------|
| 1 | BN | (brown) |
| 2 | WH | (white) |
| 3 | BU | (blue) |
| 4 | BK | (black) |

Indicators/operating means



| | | |
|---|-------------------|--------|
| 1 | Operating display | green |
| 2 | Signal display | yellow |
| 3 | TEACH-IN button | |
| 4 | Emitter | |
| 5 | Receiver | |

Release date: 2019-11-26 15:15 Date of issue: 2019-11-26 210603_eng.xml

Refer to "General Notes Relating to Pepperl+Fuchs Product Information".

Technical data**General specifications**

| | |
|---------------------|-----------------------------|
| Light source | LED , 640 nm pulsing |
| Light type | modulated visible red light |
| Object size | min. 0.5 mm |
| Slot width | 50 mm |
| Slot depth | 54 mm |
| Ambient light limit | 10000 Lux |

Indicators/operating means

| | |
|--------------------|--|
| Function indicator | LED yellow , lit when the light beam is interrupted LED green: ready |
| Control elements | Teach-In key , Sensitivity adjustment and Mode adjustment (NO/NC) |

Electrical specifications

| | | |
|------------------------|-------|----------------|
| Operating voltage | U_B | 10 ... 30 V DC |
| Ripple | | 10 % |
| No-load supply current | I_0 | ≤ 30 mA |

Input

| | |
|----------------|-------------------|
| Function input | external Teach-In |
|----------------|-------------------|

Output

| | | |
|---------------------|--|---------|
| Switching type | light/dark on | |
| Signal output | 1 PNP, short-circuit protected, reverse polarity protected, open collector | |
| Switching voltage | max. 30 V DC | |
| Switching current | max. 100 mA | |
| Voltage drop | U_d | ≤ 2.4 V |
| Switching frequency | f | 2000 Hz |
| Response time | | 0.25 ms |

Conformity

| | |
|------------------|--------------|
| Product standard | EN 60947-5-2 |
|------------------|--------------|

Ambient conditions

| | |
|---------------------|-------------------------------|
| Ambient temperature | -20 ... 60 °C (-4 ... 140 °F) |
| Storage temperature | -20 ... 80 °C (-4 ... 176 °F) |

Mechanical specifications

| | |
|----------------------|---------------------|
| Degree of protection | IP67 |
| Connection | M8 connector, 4-pin |
| Material | |
| Housing | PC |
| Optical face | plastic |
| Mass | 30 g |

Approvals and certificates

| | |
|------------------|--|
| Protection class | II |
| UL approval | cULus Listed, Class 2 Power Source "For use in NFPA 79 Applications only" Adapters providing field wiring means are available from the manufacturer. Refer to manufacturers information. |

Accessories**OMH-K03**

dove tail mounting clamp

V31-WM-2M-PUR

Female cordset single-ended, M8, 4-pin, PUR cable

V31-GM-2M-PUR

Female cordset single-ended, M8, 4-pin, PUR cable

V31-GM-BK2M-PUR-U

Female cordset single-ended, M8, 4-pin, PUR cable

V31-WM-BK2M-PUR-U

Female cordset single-ended, M8, 4-pin, PUR cable

Other suitable accessories can be found at www.pepperl-fuchs.com