



Model Number

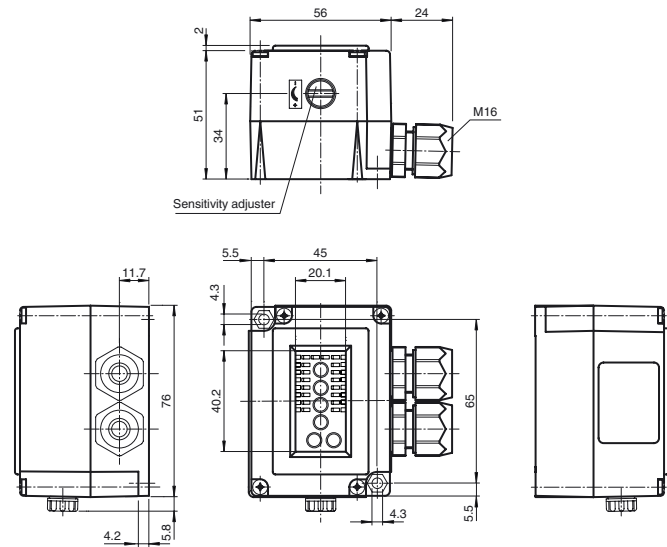
DAD15-8P

Optical data coupler

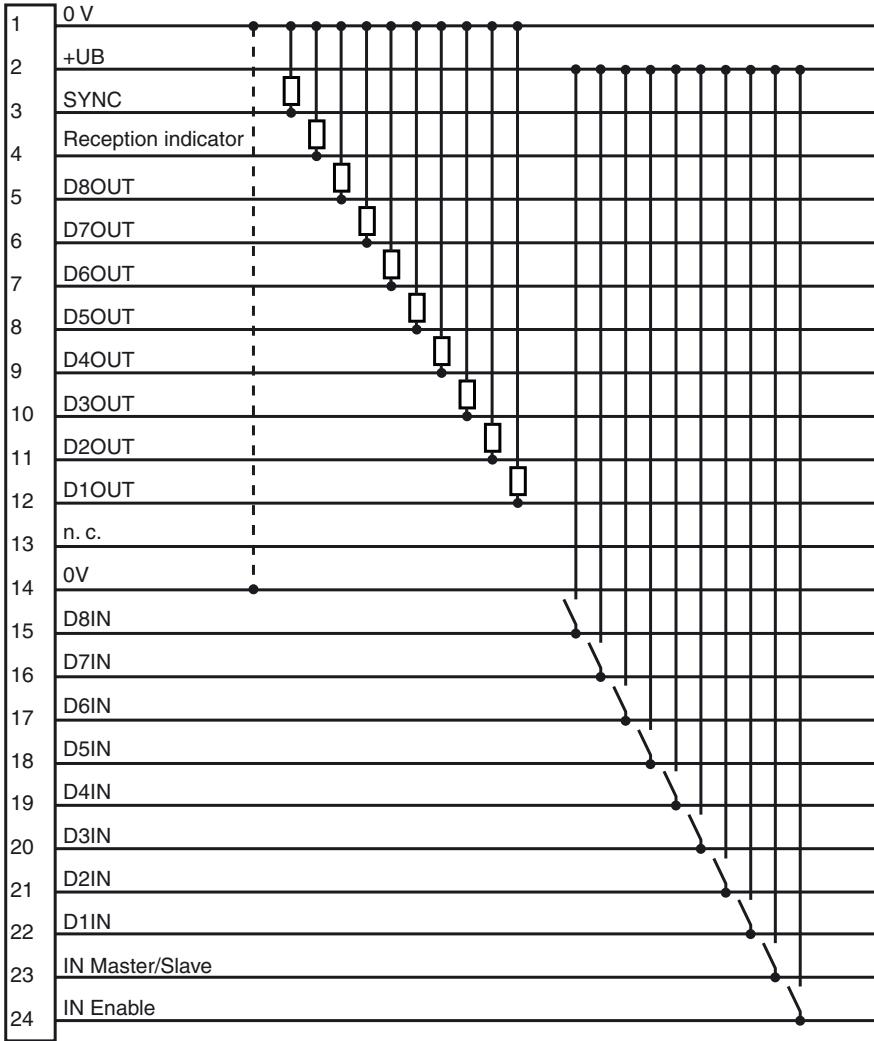
Features

- 8 bit parallel data transfer
- Very large angle of divergence
- Can be connected in series
- Connection with spring-loaded terminals
- Degree of protection IP67

Dimensions



Electrical connection



Accessories

OMH-DAD10
Mounting bracket

Release date: 2019-09-18 15:52 Date of issue: 2019-09-18 120838_eng.xml

Technical data

General specifications

Effective detection range	0 ... 1500 mm
Threshold detection range	2500 mm
Light source	IREL
Light type	modulated infrared light
Diameter of the light spot	approx. 1000 mm at 1.5 m
Angle of divergence	$\pm 20^\circ$
Ambient light limit	5000 Lux
Cycle time	35 ms

Functional safety related parameters

MTTF _d	200 a
Mission Time (T _M)	20 a
Diagnostic Coverage (DC)	0 %

Indicators/operating means

Operation indicator	LED green
Data flow indicator	Inputs: 8 LEDs green Outputs: 8 LEDs red
Control elements	sensitivity adjustment
Control elements	Operating mode switch 4: Behavior when beam is broken Switches 1+2: Address

Electrical specifications

Operating voltage	U _B	10 ... 60 V DC
No-load supply current	I ₀	40 mA
Data sampling blanking		Enable input emitter deactivation
Data rate		225 Bit/s

Interface

Interface type	8 bit parallel, bidirectional 10 inputs, PNP, 10 outputs, PNP
----------------	--

Output

Switching voltage	max. 60 V DC
Switching current	max. 200 mA per channel, short-circuit protected, total ≤ 800 mA

Conformity

Product standard	EN 60947-5-2
------------------	--------------

Ambient conditions

Ambient temperature	-20 ... 60 °C (-4 ... 140 °F)
Storage temperature	-20 ... 75 °C (-4 ... 167 °F)

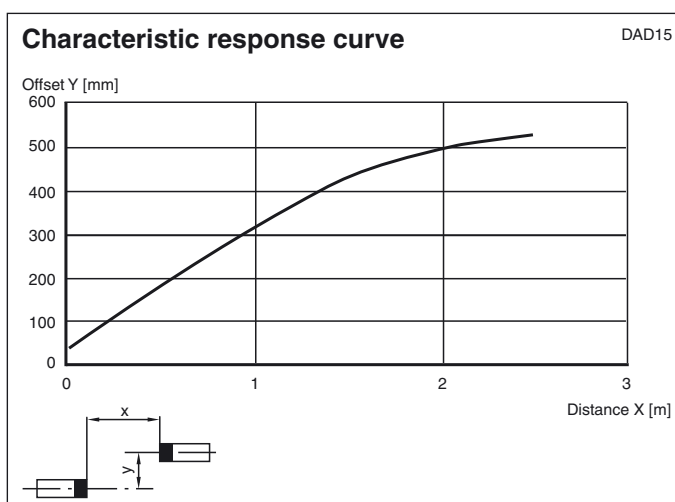
Mechanical specifications

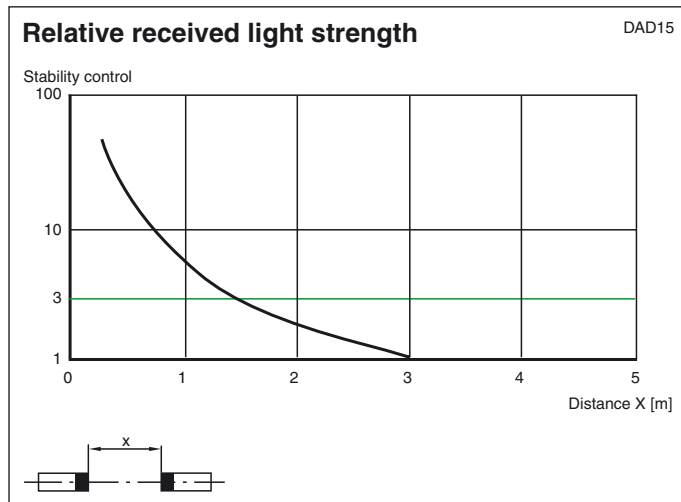
Housing width	53 mm
Housing depth	56 mm
Degree of protection	IP67
Connection	2 M16 cable glands, tension spring terminals in the terminal compartment
Material	
Housing	Terluran®, black
Optical face	glass
Mass	170 g

Approvals and certificates

Approvals	CE
-----------	----

Curves/Diagrams





Function

The DAD 15-8P can be used to transfer data words eight bits wide bidirectionally.

A device pair is required to set up a transmission route. One device is operated as the MASTER (high level on the Master/Slave input) and the second one as the SLAVE (low level on the Master/Slave input).

All binary control signals present in parallel on inputs D1 - D8 are converted serially into an 8-bit sequence in the device, are transferred over the light route and are again applied in parallel in the receiver to outputs D1 - D8. Interference-resistant PPM modulation is used to transfer binary signals. The entire cycle during which the two current 8-bit words are transferred one after the other in both directions, in the time multiplex procedure, lasts 35 ms. This corresponds to a data rate of 350 Baud. This time multiplex procedure is of no significance to the user, since the last data to be received is stored and is available on the outputs until the next change is made.

Output behaviour when the beam of light is interrupted

The behaviour of the data outputs when the light beam is broken can be adjusted with the aid of the 4 switch (data latch):

- OFF: Data outputs are turned off when the light beam is broken.
 ON: The last data to be received remains intact on the outputs when the light beam is broken.

Input/output / emitter deactivation

A high level on the ENABLE input is required to operate the DAD15-8P. If there is a low level on the ENABLE input, the emitter will be turned off.

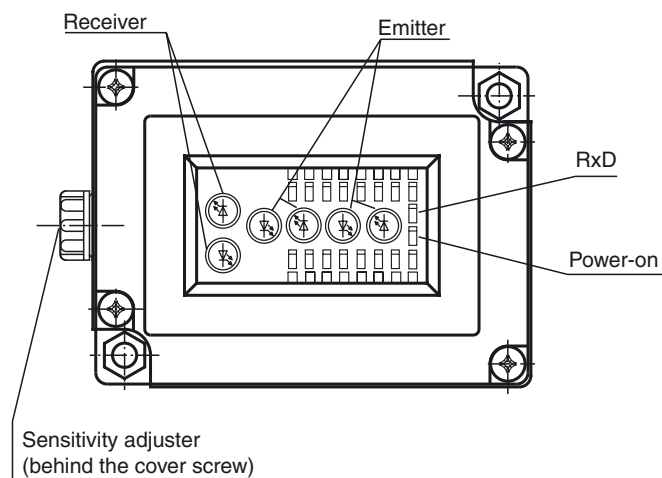
The ENABLE input has no function in SLAVE mode.

Inputs and outputs, reception indicator:

The states of data inputs and outputs are displayed individually via LEDs. A high level on the input is indicated by a green LED. A red LED indicates an active output.

Correct reception is indicated with the output and the RECEPTION INDICATOR LED.

The SYNC output indicates the end of a transmit or receive cycle. Output data are valid with a falling edge and new input data can be read.



Chaining

The SYNC output can also be used to start an additional ENABLE input. Up to four MASTERS can be chained together in this manner. The devices must then be addressed by means of the A1 and A2 address switches. The SLAVE belonging to the MASTER in question requires the same address switch setting.

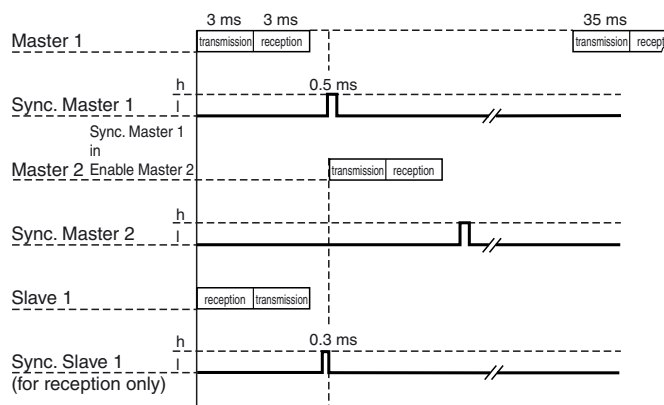
Arrangement and mounting

The DAD15 data light barrier consists of an electronics unit with spring-loaded terminals and 2 M16 cable glands. The electronics unit is connected with an internal connector. It is also fastened to it with 4 screws.

Accessories:

OMH-DAD10 mounting angle

Timing



Release date: 2019-09-18 15:52 Date of issue: 2019-09-18 120838_eng.xml

Refer to "General Notes Relating to Pepperl+Fuchs Product Information".