

### Model Number

CJ10-30GK-WO

### Features

- 10 mm non-flush
- The switching distance can be set over a wide range with the potentiometer

### Accessories

BF 30

Mounting flange, 30 mm

## Technical Data

### General specifications

|                            |       |                      |
|----------------------------|-------|----------------------|
| Switching function         |       | Normally closed (NC) |
| Output type                |       | Two-wire             |
| Rated operating distance   | $s_n$ | 10 mm                |
| Installation               |       | non-flush            |
| Output polarity            |       | AC                   |
| Assured operating distance | $s_a$ | 0 ... 7.2 mm         |
| Output type                |       | 2-wire               |

### Nominal ratings

|   |           |                               |
|---|-----------|-------------------------------|
| Installation conditions                                 |           |                               |
| A   |           | 18 mm                         |
| B   |           | 10 mm                         |
| C   |           | 20 mm                         |
| F   |           | 60 mm                         |
| Operating voltage                                       | $U_B$     | 20 ... 253 V AC <sup>1)</sup> |
| Switching frequency                                     | f         | 0 ... 10 Hz                   |
| Hysteresis  | H         | 2 ... 10 typ. 5 %             |
| Reverse polarity protection                             |           | reverse polarity tolerant     |
| Voltage drop at $I_L$                                   |           |                               |
| Voltage drop $I_L = 100$ mA, switching element on $U_d$ |           | typ. 7 V                      |
| Momentary current (20 ms, 0.1 Hz)                       |           | 0 ... 1200 mA                 |
| Rated insulation voltage                                | $U_{BIS}$ | 1500 V                        |
| Design data   |           |                               |
| Operating current                                       | $I_L$     | 5 ... 200 mA                  |
| Lowest operating current                                | $I_m$     | 5 mA                          |
| Off-state current                                       | $I_r$     | 0.7 ... 1.5 mA typ.           |
| Time delay before availability                          | $t_v$     | ≤ 300 ms                      |
| Switching state indicator                               |           | LED, yellow                   |

### Indicators/operating means

|               |                        |
|---------------|------------------------|
| Potentiometer | sensitivity adjustment |
|---------------|------------------------|

### Ambient conditions

|                     |                                |
|---------------------|--------------------------------|
| Ambient temperature | -25 ... 70 °C (-13 ... 158 °F) |
| Storage temperature | -25 ... 85 °C (-13 ... 185 °F) |

### Mechanical specifications

|                      |  |
|----------------------|--|
| Connection type      | cable PVC , 2 m  |
| Core cross-section   | 0.75 mm <sup>2</sup>   |
| Housing material     | PBT  |
| Sensing face         | PBT  |
| Degree of protection | IP67   |
| Note                 | <sup>1)</sup> In the temperature range below 0 °C, permissible operating voltage $U_b$ 80...253 V<br>Safety fuse ≤ 0.8 A (quick-blow) according to IEC 60127-2 Sheet 1<br>Recommendation: after a short circuit, check that the device is functioning correctly. |

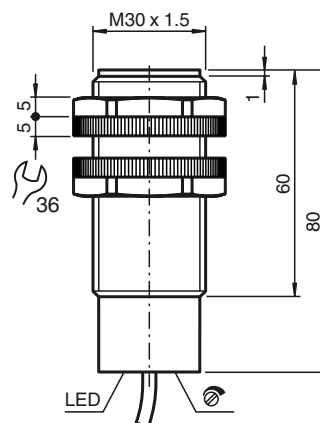
### Compliance with standards and directives

|                     |   |
|---------------------|---|
| Standard conformity |   |
| Standards           | EN 60947-5-2:2007<br>EN 60947-5-2/A1:2012<br>IEC 60947-5-2:2007<br>IEC 60947-5-2 AMD 1:2012 |

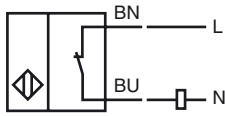
### Approvals and certificates

|              |   |
|--------------|---|
| UL approval  | cULus Listed, General Purpose                     |
| CCC approval | Certified by China Compulsory Certification (CCC) |

## Dimensions



Electrical Connection



Installation Conditions

