



Model Number

CCB10-30GS60-A2-V1

Features

- 10 mm flush
- Operating distance adjustable via potentiometer
- High EMC resistance
- Stainless steel version
- Operating voltage range 10 V ... 60 V DC

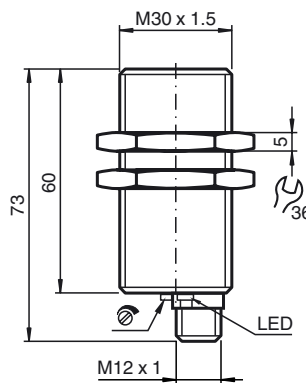
Accessories

- BF 30**
Mounting flange, 30 mm
- V1-G**
Female connector, M12, 4-pin, field attachable
- V1-W**
Female connector, M12, 4-pin, field attachable
- V1-G-2M-PUR**
Female cordset, M12, 4-pin, PUR cable
- V1-W-2M-PUR**
Female cordset, M12, 4-pin, PUR cable

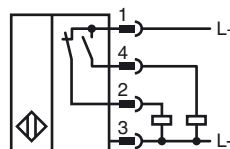
Technical Data

General specifications	
Switching function	complementary
Output type	PNP
Rated operating distance	s_n 10 mm
Installation	flush
Output polarity	DC
Assured operating distance	s_a 0 ... 8.1 mm
Output type	3-wire
Nominal ratings	
Installation conditions	
A	0 mm
B	0 mm
C	20 mm
F	40 mm
Operating voltage	U_B 10 ... 60 V DC
Switching frequency	f 0 ... 10 Hz
Reverse polarity protection	reverse polarity protected
Short-circuit protection	pulsing
Voltage drop	U_d ≤ 2.8 V
Operating current	I_L 0 ... 200 mA
Off-state current	I_r 0 ... 0.5 mA typ. 0.1 µA at 25 °C
Off-state current $T_U = 40$ °C, switching element off	≤ 100 µA
No-load supply current	I_0 ≤ 20 mA
Time delay before availability	t_v ≤ 50 ms
Switching state indicator	LED, yellow
Functional safety related parameters	
MTTF _d	760 a
Mission Time (T_M)	20 a
Diagnostic Coverage (DC)	0 %
Indicators/operating means	
Potentiometer	sensitivity adjustment
Ambient conditions	
Ambient temperature	-25 ... 70 °C (-13 ... 158 °F)
Storage temperature	-40 ... 85 °C (-40 ... 185 °F)
Mechanical specifications	
Connection type	Connector plug M12 x 1 , 4-pin
Housing material	Stainless steel 1.4305 / AISI 303
Sensing face	PBT
Degree of protection	IP67
Compliance with standards and directives	
Standard conformity	
Standards	EN 60947-5-2:2007 EN 60947-5-2/A1:2012 IEC 60947-5-2:2007 IEC 60947-5-2 AMD 1:2012
Approvals and certificates	
UL approval	cULus Listed, General Purpose
CCC approval	Certified by China Compulsory Certification (CCC)

Dimensions



Electrical Connection



Release date: 2018-10-09 11:03 Date of issue: 2018-10-09 237551_eng.xml

Pinout



Wire colors in accordance with EN 60947-5-2

1	BN	(brown)
2	WH	(white)
3	BU	(blue)
4	BK	(black)

Installation Conditions

