



### Model Number

CBB10-30GKK-W

### Features

- 10 mm flush
- 15 mm non-flush
- The switching distance can be set over a wide range with the potentiometer
- NO/NC programmable

### Accessories

BF 30

Mounting flange, 30 mm

## Technical Data

### General specifications

Switching element function		AC	NO/NC
Rated operating distance	$s_n$	10 mm	
Installation		flush	
Output polarity		AC	
Assured operating distance	$s_a$	0 ... 8.1 mm	

### Nominal ratings

Installation conditions			
A		0 mm	
B		0 mm	
C		20 mm	
F		40 mm	
Operating voltage	$U_B$	20 ... 250 V AC	
Switching frequency	$f$	0 ... 50 Hz	
Hysteresis	$H$	2 ... 20 %	
Voltage drop	$U_d$	$\leq 7$ V	
Operating current	$I_L$	0 ... 500 mA	
Off-state current	$I_r$	0 ... 1.7 mA	
Operating voltage indicator		LED, green	
Switching state indicator		LED, red	

### Indicators/operating means

Potentiometer	sensitivity adjustment
---------------	------------------------

### Ambient conditions

Ambient temperature	-25 ... 70 °C (-13 ... 158 °F)
---------------------	--------------------------------

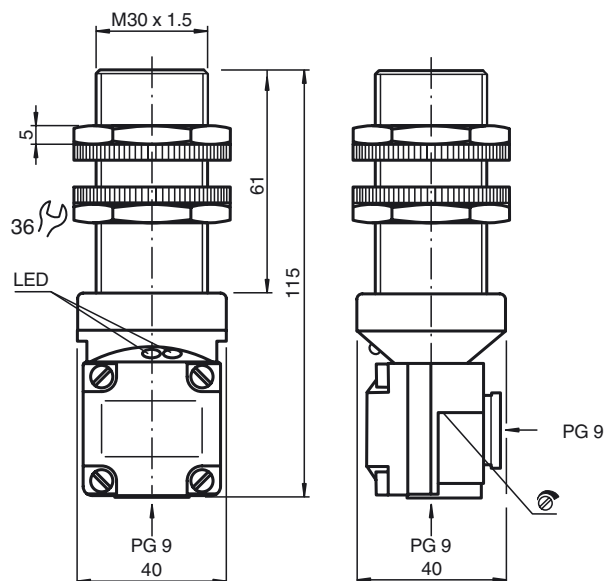
### Mechanical specifications

Connection type	screw terminals
Core cross-section	up to 2.5 mm <sup>2</sup>
Housing material	ABS
Sensing face	ABS
Degree of protection	IP67

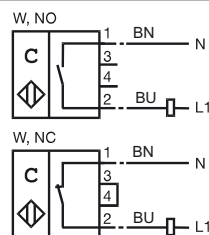
### Compliance with standards and directives

Standard conformity	
Standards	EN 60947-5-2

## Dimensions



## Electrical Connection



Installation Conditions

