



Model Number

CBN15-F64-E2

Features

- 15 mm non-flush
- Flat housing
- Switching distance adjustable between 2 mm ... 15 mm

Accessories

MH-F64
Mounting plate

Technical Data

General specifications

Switching function		Normally open (NO)
Output type		PNP
Rated operating distance	s_n	15 mm
Installation		non-flush
Output polarity		DC
Assured operating distance	s_a	0 ... 12.1 mm
Output type		3-wire

Nominal ratings

Installation conditions		
B		15 mm
C		30 mm
F		45 mm / 60 mm
Operating voltage	U_B	10 ... 30 V DC
Switching frequency	f	0 ... 100 Hz
Hysteresis	H	1 ... 10 typ. 5 %
Reverse polarity protection		reverse polarity protected
Short-circuit protection		pulsing $I_{max} \leq 500$ mA
Voltage drop	U_d	≤ 2 V
Repeat accuracy	R	≤ 1.5 mm
Design data		
Operating current	I_L	0 ... 100 mA
Off-state current	I_r	0 ... 50 μ A typ. 5 μ A
No-load supply current	I_0	≤ 15 mA
Switching state indicator		LED, yellow

Functional safety related parameters

MTTF _d	941 a
Mission Time (T _M)	20 a
Diagnostic Coverage (DC)	0 %

Indicators/operating means

Potentiometer	sensitivity adjustment
---------------	------------------------

Ambient conditions

Ambient temperature	-25 ... 70 °C (-13 ... 158 °F)
Storage temperature	-40 ... 85 °C (-40 ... 185 °F)

Mechanical specifications

Connection type	cable PUR , 2 m
Core cross-section	0.34 mm ²
Housing material	PBT
Sensing face	PBT
Degree of protection	IP67
Tightening torque, housing screws	≤ 1 Nm

General information

Note	Screw-in depth of housing screws, max. 10 mm
------	--

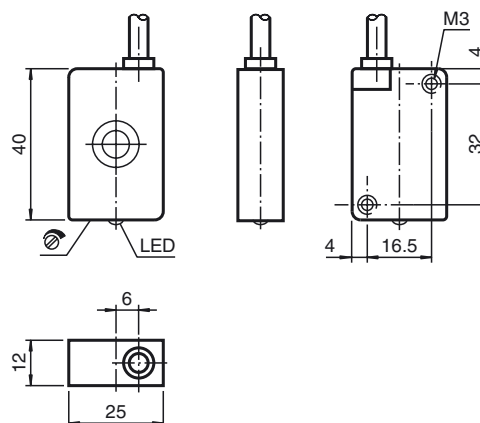
Compliance with standards and directives

Standard conformity	
Standards	EN 60947-5-2:2007 EN 60947-5-2/A1:2012 IEC 60947-5-2:2007 IEC 60947-5-2 AMD 1:2012

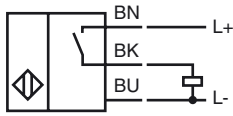
Approvals and certificates

UL approval	cULus Listed, General Purpose
CCC approval	CCC approval / marking not required for products rated ≤ 36 V

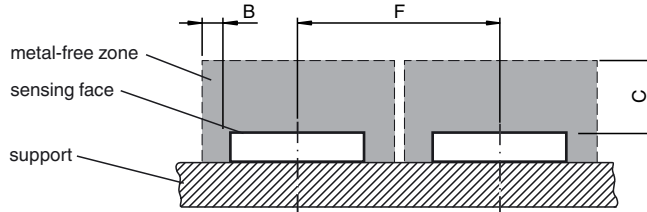
Dimensions



Electrical Connection



Installation Conditions



Release date: 2017-10-23 09:37 Date of issue: 2017-10-23 310470_eng.xml