



### Model Number

CBN7-F46-E1-Y291652

### Features

- 7 mm non-flush
- 3-wire DC
- Flat housing
- Mounting slots for cable ties
- Thru-holes for screw mounting

## Technical Data

### General specifications

Switching function	Normally closed (NC)
Output type	NPN
Rated operating distance	$s_n$ 7 mm
Installation	non-flush
Output polarity	DC
Assured operating distance	$s_a$ 0 ... 5.67 mm

### Nominal ratings

Installation conditions	
B	0 mm
C	10 mm
F	20 mm / 50 mm
Operating voltage	$U_B$ 10 ... 30 V DC
Switching frequency	f 0 ... 10 Hz
Hysteresis	H 1 ... 10 typ. 5 %
Reverse polarity protection	reverse polarity protected
Short-circuit protection	pulsing
Voltage drop	$U_d$ $\leq 2$ V

### Voltage drop at $I_L$

Voltage drop  $I_L = 10$  mA, switching element 0.8 ... 2.2 V typ. 1.4 V on  $U_d$

### Design data

Operating current	$I_L$ 0 ... 100 mA
Lowest operating current	$I_m$ 0 mA
Off-state current	$I_r$ 0 ... 0.5 mA typ. 0.01 mA
Off-state current $T_U = 40$ °C, switching element off	$\leq 100$ $\mu$ A

No-load supply current  $I_0$   $\leq 15$  mA

Time delay before availability  $t_v$   $\leq 50$  ms

Switching state indicator LED, yellow

### Ambient conditions

Ambient temperature	-25 ... 70 °C (-13 ... 158 °F)
Storage temperature	-40 ... 85 °C (-40 ... 185 °F)

### Mechanical specifications

Connection type	Cable connector M8 x 1 PVC, L = 100 mm +/- 5 mm
Core cross-section	0.14 mm <sup>2</sup>
Housing material	PBT
Sensing face	PBT
Degree of protection	IP67

### Compliance with standards and directives

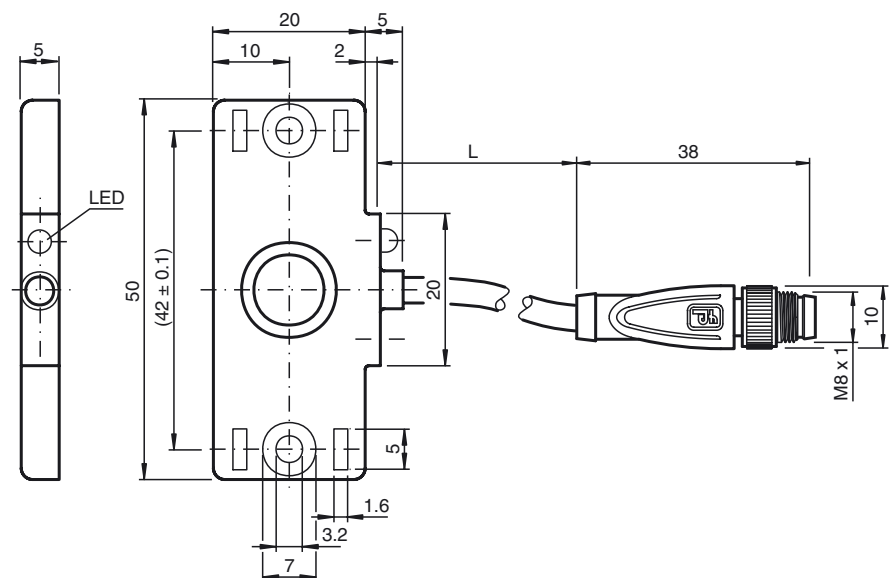
#### Standard conformity

Standards	EN 60947-5-2:2007 IEC 60947-5-2:2007
-----------	---

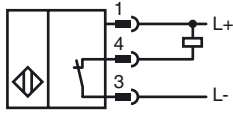
### Approvals and certificates

UL approval	cULus Listed, General Purpose
CSA approval	cCSAus Listed, General Purpose
CCC approval	CCC approval / marking not required for products rated $\leq 36$ V

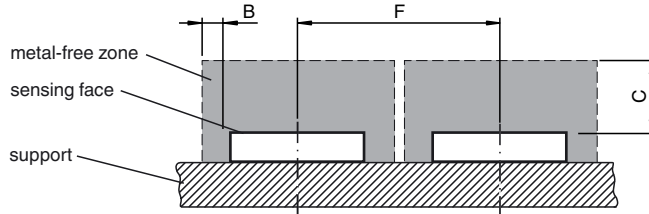
## Dimensions



Electrical Connection



Installation Conditions



Release date: 2016-11-14 11:45 Date of issue: 2016-11-14 291652\_eng.xml