



### Model Number

CBN5-F104M-E2-V3R

### Features

- 5 mm non-flush
- 3-wire DC
- Flat housing
- Metal housing

### Accessories

#### V3-WR-2M-PUR

Female cordset, snap locking, 3-pin, PUR cable

#### V3-GR-2M-PUR

Female cordset, snap locking, 3-pin, PUR cable

## Technical Data

### General specifications

Switching element function		PNP	NO
Rated operating distance	$s_n$	5 mm	
Installation		non-flush	
Output polarity		DC	

### Nominal ratings

Installation conditions			
B		0 mm	
C		10 mm	
F		20 mm	
Operating voltage	$U_B$	10 ... 30 V DC	
Switching frequency	$f$	0 ... 100 Hz	
Hysteresis	H	2 ... 20 %	
Reverse polarity protection		reverse polarity protected	
Short-circuit protection		pulsing	
Voltage drop	$U_d$	$\leq 1.8$ V	
Operating current	$I_L$	0 ... 200 mA	
Off-state current	$I_r$	$\leq 0.1$ mA	
No-load supply current	$I_0$	$\leq 15$ mA	
Operating voltage indicator		LED, green	
Switching state indicator		LED, yellow	

### Ambient conditions

Ambient temperature	-25 ... 70 °C (-13 ... 158 °F)
---------------------	--------------------------------

### Mechanical specifications

Connection type	Connector 8 mm, 3-pin
Housing material	GD-Zn
Sensing face	PA 12
Degree of protection	IP67

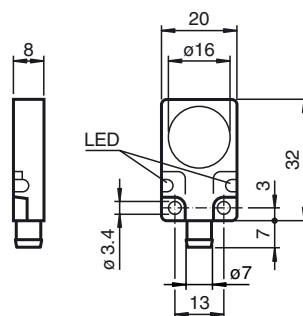
### Compliance with standards and directives

Standard conformity	
Standards	EN 60947-5-2

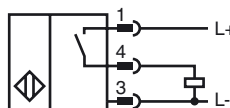
### Approvals and certificates

UL approval	cULus Listed, General Purpose
CCC approval	CCC approval / marking not required for products rated $\leq 36$ V

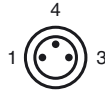
## Dimensions



## Electrical Connection



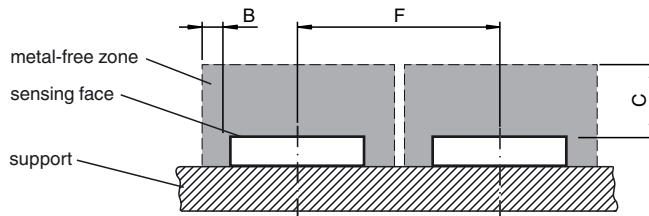
Pinout



Wire colors in accordance with EN 60947-5-2

1	BN	(brown)
3	BU	(blue)
4	BK	(black)

Installation Conditions



Release date: 2016-03-29 13:48 Date of issue: 2016-03-29 23:029\_eng.xml