



### Model Number

CBN5-F46-E0-Y286690

### Features

- 5 mm non-flush
- 3-wire DC
- Flat housing
- Mounting slots for cable ties
- Thru-holes for screw mounting

## Technical Data

### General specifications

Switching element function		NPN	NO
Rated operating distance	$s_n$	5 mm	
Installation		non-flush	
Output polarity		DC	
Assured operating distance	$s_a$	0 ... 3.5 mm	

### Nominal ratings

Installation conditions			
B		0 mm	
C		10 mm	
F		20 mm / 50 mm	
Operating voltage	$U_B$	10 ... 30 V DC	
Switching frequency	$f$	0 ... 10 Hz	
Hysteresis	H	1 ... 10 typ. 5 %	
Reverse polarity protection		reverse polarity protected	
Short-circuit protection		pulsing	
Voltage drop	$U_d$	$\leq 2$ V	
Operating current	$I_L$	0 ... 100 mA	
Lowest operating current	$I_m$	0 mA	
Off-state current	$I_r$	0 ... 0.5 mA typ. 0.01 mA	
Off-state current $T_U = 40$ °C, switching element off		$\leq 100$ $\mu$ A	
No-load supply current	$I_0$	$\leq 15$ mA	
Time delay before availability	$t_v$	$\leq 50$ ms	
Switching state indicator		LED, yellow	

### Ambient conditions

Ambient temperature	-25 ... 70 °C (-13 ... 158 °F)
Storage temperature	-40 ... 85 °C (-40 ... 185 °F)

### Mechanical specifications

Connection type	cable PVC, L = 0.6 m +/- 5
Connection assembly	Molex connector; 43025-0400 Molex contact 43030-0005
Core cross-section	0.14 mm <sup>2</sup>
Housing material	PBT
Sensing face	PBT
Degree of protection	IP67

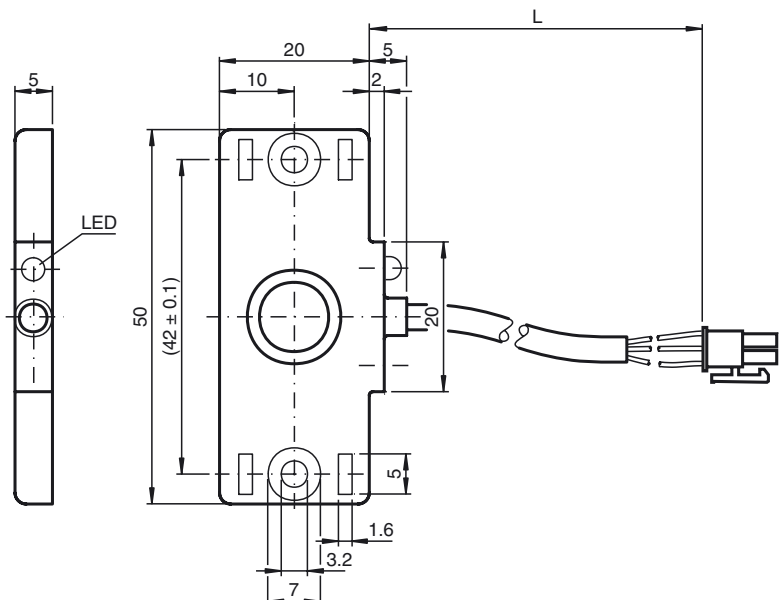
### Compliance with standards and directives

Standard conformity	
Standards	EN 60947-5-2:2007 IEC 60947-5-2:2007

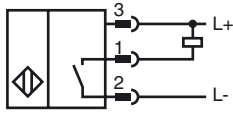
### Approvals and certificates

UL approval	cULus Listed, General Purpose
CCC approval	CCC approval / marking not required for products rated $\leq 36$ V

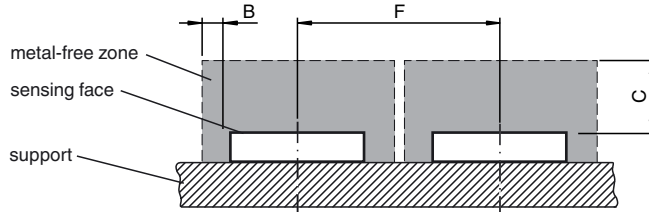
## Dimensions



Electrical Connection



Installation Conditions



Release date: 2016-08-15 10:01 Date of issue: 2016-08-15 286690\_eng.xml