



### Model Number

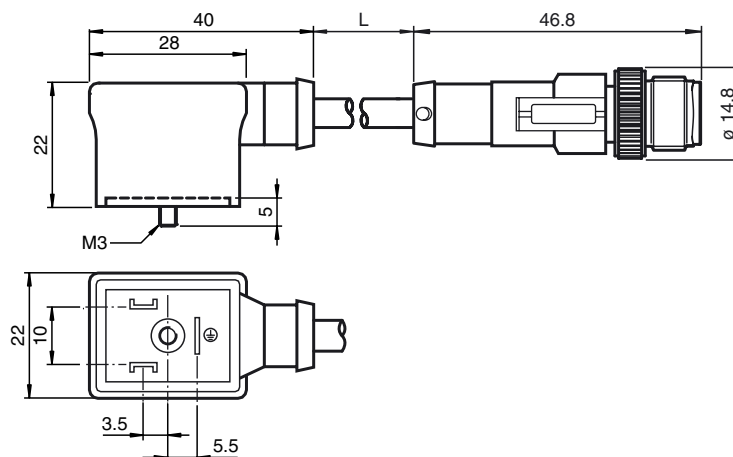
#### VMB-2+P-2M-PUR-V1-G

Valve connector, Form B, 2+PE, PUR cable to M12 round plug connector

### Features

- Valve connector according EN 175301-803 A/ISO 4400 (previously DIN 43650)
- Moulded seal
- Flame resistant cable
- Halogen-free

### Dimensions



### Technical data

#### General specifications

Number of pins 2 + PE

#### Electrical specifications

Operating voltage  $U_B$  250 V AC/DC  
 Operating current  $I_B$  max. 10 A  
 Volume resistance < 10 m $\Omega$

#### Ambient conditions

Ambient temperature Body: -25 ... 80 °C (-13 ... 176 °F)  
 cable, flexing: -20 ... 80 °C (-4 ... 176 °F)  
 cable, fixed: -40 ... 80 °C (-40 ... 176 °F)

Pollution degree 3

#### Mechanical specifications

Degree of protection IP65/IP67  
 Connection Valve connector Form B  
 Cable code LiY 11Y-HF

#### Material

Contacts CuSn  
 Contact surface Sn  
 Body TPU, black  
 Cable PUR  
 Core insulation PP

#### Cable

Sheath diameter  $\varnothing$  4.5 mm  
 Bending radius > 50 mm  
 > 22.5 mm, fixed  
 Color black  
 Cores (2 + 1) x 0.5 mm<sup>2</sup>; 20 AWG  
 Conductor construction 28 x 0.15 mm  $\varnothing$   
 Length L 2 m

### Electrical connection

