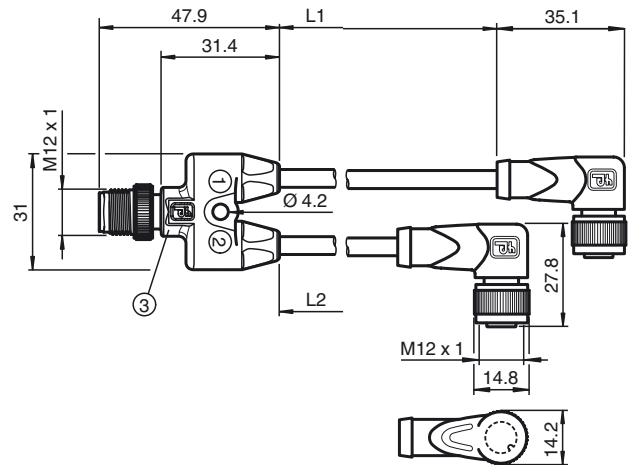




Dimensions



Model Number

V1-W-E2-BK0,3M-PUR-A-TV1-G

Y connecting cable, M12 to 2xM12, 4-pin, PUR cable

Features

- Simple assembling of 2 signals to one M12 plug-in station
- Built-in LED, as operating and function indicator
- Immunity to vibration, with mechanical latching
- Flame resistant cable
- Suitable for drag chains
- Improved resistance to weld slag
- Suitable for robotic applications / torsion resistant
- Halogen-free
- Resistant to microbes and hydrolysis
- Free from substances that impair paint wetting

Technical data

General specifications

Number of pins	4
Connection 1	socket
Construction type 1	right angle
Threading 1	M12
Connection 2	socket
Construction type 2	right angle
Threading 2	M12
Connection 3	Male connector
Construction type 3	straight
Threading 3	M12

Indicators/operating means

LED green	Operating display
LED yellow	Functional display NO

Electrical specifications

Operating voltage	$U_B$	max. 24 V DC $\pm$ 15%
Operating current	$I_B$	max. 4 A
Contact resistance		< 10 m $\Omega$
Surge protection		overvoltage category III

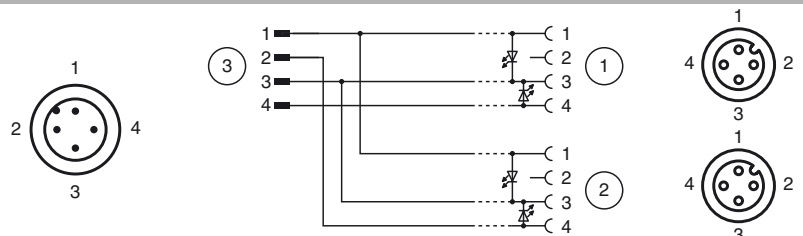
Ambient conditions

Ambient temperature	Body: -40 ... 90 °C (-40 ... 194 °F) cable, fixed: -40 ... 80 °C (-40 ... 176 °F) cable, flexing: -25 ... 80 °C (-13 ... 176 °F)
Pollution degree	3

Mechanical specifications

Contact elements	spring-loaded contact socket
Pin diameter	1 mm
Degree of protection	IP67
Connection	1 x M12 connector, straight 2 x M12 right-angled sockets
Material	
Contacts	CuSn / Au
Contact surface	Au
Body	TPU
Cable	PUR
Slotted nut	Diecast zinc
Sleeve connector	Diecast zinc
Core insulation	PP
Cable	extra-fine wire, flexible
Sheath diameter	Ø 4.3 mm
Bending radius	> 10 x cable diameter, moving > 5 x cable diameter, fixed
Color	black
Cores	4 x 0.34 mm <sup>2</sup>

Electrical connection



Release date: 2015-06-24 12:02 Date of issue: 2019-05-23 260170\_eng.xml

Refer to "General Notes Relating to Pepperl+Fuchs Product Information".

Conductor construction		42 x 0.1 mm Ø
Length	L	L1 = 0.3 m L2 = 0.3 m
Drag chain suitability		
Drag chain cycles		≥ 5000000 (at max. 60 °C)
Motion velocity		≤ 3.3 m/s
Traverse distance		5 m horizontal
Acceleration		≤ 5 m/s <sup>2</sup>
Torsion cycles		≥ 1000000 (at max. 60 °C)
Torsional stress		± 180 °/m
Flammability		
Contact carrier		94 HB
Housing		94 V-2
Cable		FT2

**Compliance with standards and directives**

Standard conformity		
Degree of protection		EN 60529:2000
Standards		IEC 61076-2-101:2008
Flammability		Grip: UL 94 Cable: UL 758 / UL 1581
Halogen-free		IEC 60754-1:1994/DIN VDE 0472-815

**Accessories****MH V1-BIT M12**

plug-in cap M12

**MH V1-BIT M12-W14-HEX**

Plug-in attachment for M12 with hex stainless steel knurled nut

**MH V1-Holder**

Modular universal holder for M12 connectors

**MH V1-SCREWDRIVER**

torque screwdriver (0.6 Nm)

**MH V1-SCREWDRIVER**

torque screwdriver (0.4 Nm)

**V1/V3-LABEL**

Label plate

**V1/V3-LABELHOLDER**

Label holder

**V1-MARKING-RING-BLUE**

Marking ring for M12 plug

**V1-MARKING-RING-GREEN**

Marking ring for M12 plug

**V1-MARKING-RING-ORANGE**

Marking ring for M12 plug

**V1-MARKING-RING-RED**

Marking ring for M12 plug

**V1-MARKING-RING-WHITE**

Marking ring for M12 plug

**V1-MARKING-RING-YELLOW**

Marking ring for M12 plug