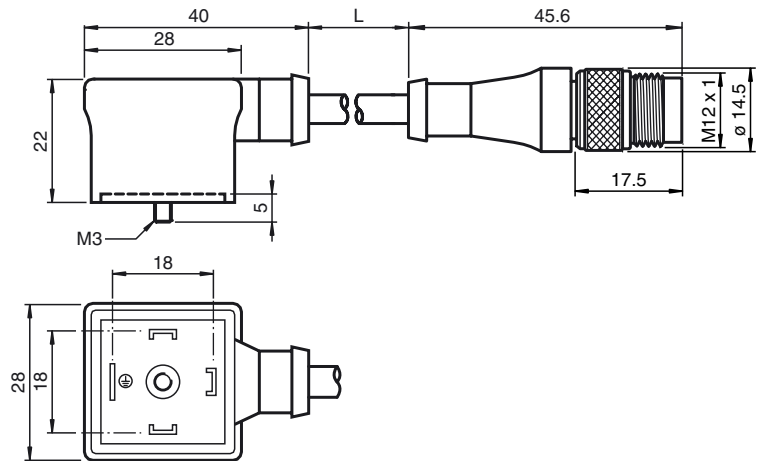




**Dimensions**



**Model Number**

**VMA-3+P/L1-0,6M-PUR-V1-G**

Valve connector, Form A, 3+PE, LED, PUR cable

**Features**

- Valve connector according EN 175301-803 A/ISO 4400 (previously DIN 43650)
- Moulded seal

**Technical data**

**General specifications**

Number of pins 3 + PE

**Indicators/operating means**

LED green/yellow Operating display

**Electrical specifications**

Operating voltage  $U_B$  24 V AC/DC

Operating current  $I_B$  max. 10 A

Volume resistance < 10 mΩ

**Ambient conditions**

Ambient temperature -40 ... 80 °C (-40 ... 176 °F)  
Cable: -25 ... 80 °C (-13 ... 176 °F)

**Mechanical specifications**

Degree of protection IP67

Connection Valve connector Form A

**Material**

Contacts CuZn ; CuSn

Body PUR

Cable PUR

Core insulation PVC

**Cable**

Sheath diameter Ø 5.7 mm

Bending radius > 10 x cable diameter, moving

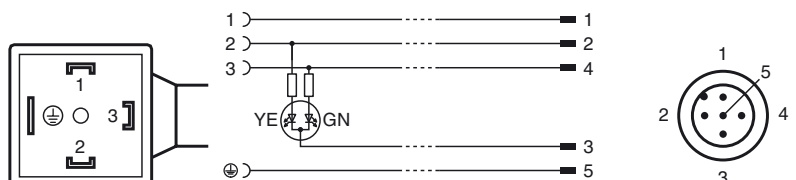
Color black

Cores (4 + 1) x 0.5 mm<sup>2</sup>

Conductor construction 16 x 0.2 mm Ø

Length L 0.6 m

**Electrical connection**



Release date: 2015-12-15 14:51 Date of issue: 2015-12-15 456869\_eng.xml

Refer to "General Notes Relating to Pepperl+Fuchs Product Information".

Pepperl+Fuchs Group  
www.pepperl-fuchs.com

USA: +1 330 486 0001  
fa-info@us.pepperl-fuchs.com

Germany: +49 621 776 4411  
fa-info@de.pepperl-fuchs.com

Singapore: +65 6779 9091  
fa-info@sg.pepperl-fuchs.com