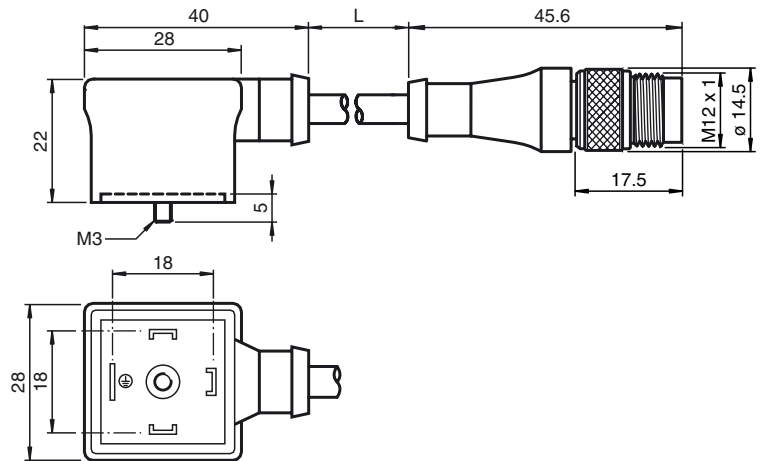




Dimensions



Model Number

VMA-3+P/L1-10M-PUR-V1-G

Valve connector, Form A to M12, 3+PE,
Z-diode, PUR cable

Features

- Valve connector according EN 175301-803 A/ISO 4400 (previously DIN 43650)
- Suitable for pressure switches
- Moulded seal
- Halogen-free
- UL Recognized Component

Technical data

General specifications

Number of pins 3 + PE

Indicators/operating means

LED green/yellow Operating display

Electrical specifications

Operating voltage U_B 24 V AC/DC

Operating current I_B max. 10 A

Volume resistance < 10 m Ω

Ambient conditions

Ambient temperature -40 ... 80 °C (-40 ... 176 °F)

Cable: -25 ... 80 °C (-13 ... 176 °F)

Mechanical specifications

Degree of protection IP67

Connection Valve connector Form A

Material

Contacts CuZn ; CuSn

Body PUR

Cable PUR

Core insulation PVC

Cable

Sheath diameter \varnothing 5.7 mm

Bending radius > 10 x cable diameter, moving

Color black

Cores (4 + 1) x 0.5 mm²

Conductor construction 16 x 0.2 mm \varnothing

Length L 10 m

Electrical connection

