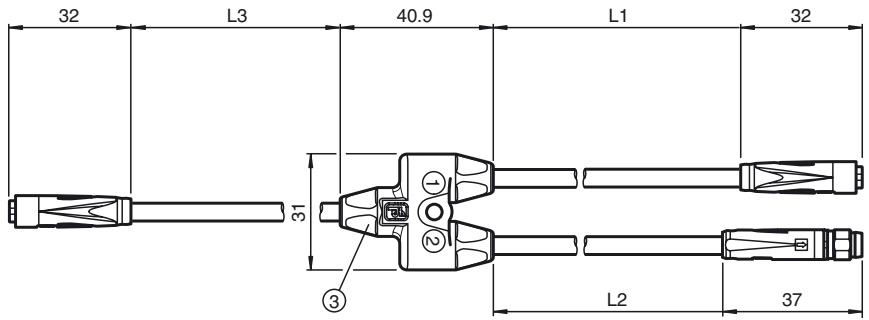




Dimensions



Model Number

V31-0,3MPVC/V31S-0,1-TEE-V31-G

Y connection cable

Features

- Gold plated contacts
- Flame resistant cable

Technical data

General specifications

Number of pins 4

Electrical specifications

Operating voltage U_B 30 V AC/DC
 Operating current I_B 3 A

Ambient conditions

Ambient temperature Body: -40 ... 90 °C (-40 ... 194 °F)
 cable, fixed: -20 ... 70 °C (-4 ... 158 °F)
 cable, flexing: -5 ... 70 °C (23 ... 158 °F)

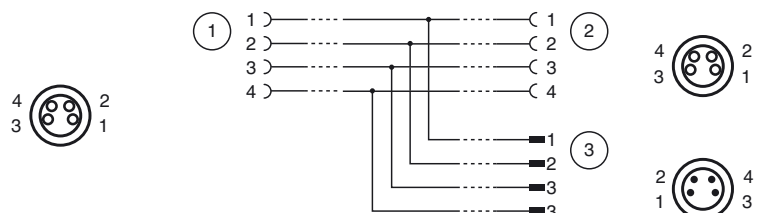
Mechanical specifications

Contact elements spring-loaded contact socket
 Pin diameter 1 mm
 Degree of protection IP65
 Connection 1 x M8 straight connector
 2 x M8 socket, straight

Material

Contacts CuSn / Au
 Contact surface Au
 Body TPU, black
 Cable PVC
 Threaded insert Diecast zinc
 Core insulation PVC
 Cable fine-strand
 Color black
 Number of cores 4
 Core cross-section 0.34 mm²
 Length L L1 = 300 mm
 L2 = 100 mm
 L3 = 100 mm

Electrical connection



Release date: 2017-08-31 14:34 Date of issue: 2017-08-31 310812_eng.xml

Refer to "General Notes Relating to Pepperl+Fuchs Product Information".