



Model Number

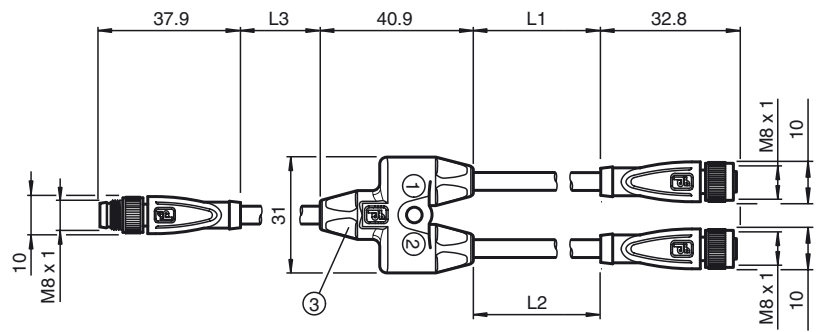
V31-GM-0,11M-PUR-U-T-0,15M-V31

Y connection cable

Features

- Halogen-free
- Raw cable with cURus approval
- UL Recognized Component
- Resistant to microbes and hydrolysis
- Flame resistant cable
- Suitable for drag chains
- Gold plated contacts

Dimensions



Technical data

General specifications

Number of pins	4
UL File Number	E231213

Electrical specifications

Operating voltage	U_B	60 V AC/DC
Operating current	I_B	max. 4 A
Volume resistance		< 5 m Ω

Ambient conditions

Ambient temperature	Body: -40 ... 90 °C (-40 ... 194 °F) cable, fixed: -40 ... 80 °C (-40 ... 176 °F) cable, flexing: -20 ... 80 °C (-4 ... 176 °F)
---------------------	---

Mechanical specifications

Contact elements	spring-loaded contact socket
Pin diameter	1 mm
Degree of protection	IP67
Connection	1 x M8 straight connector 2 x M8 socket, straight
Cable code	Li 9Y 11Y 4 x 0.34

Material

Contacts	CuSn / Au
Contact surface	Au
Body	TPU, black
Cable	PUR
Slotted nut	Diecast zinc
Sleeve connector	Diecast zinc
Core insulation	PP
Cable	extra-fine wire, flexible
Sheath diameter	\varnothing 4.3 mm
Bending radius	> 10 x cable diameter, moving > 5 x cable diameter, fixed
Color	black
Number of cores	4
Core cross-section	0.34 mm ²
Conductor construction	42 x 0.1 mm \varnothing
Length	L L1 = 110 mm L2 = 110 mm L3 = 150 mm

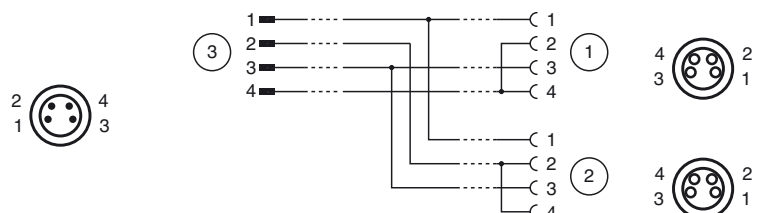
Drag chain suitability

Drag chain cycles	\geq 5000000
Motion velocity	\leq 3.3 m/s
Torsional stress	\pm 180 °/m

Flammability

Cable	FT2
-------	-----

Electrical connection



Release date: 2017-07-25 15:26 Date of issue: 2017-07-25 285708_eng.xml

Refer to "General Notes Relating to Pepperl+Fuchs Product Information".

Compliance with standards and directives

Standard conformity

Flammability	Body: UL 94 Line: UL 1581 Section 1061; IEC 60332-1-2:2004
Halogen-free	IEC 60754-1:1994

Approvals and certificates

UL approval	cURus AWM 20549 AWM I/II A/B 80°C 300V FT2 (cable)
Maximum permissible operating voltage	≤ 30 V
Maximum permissible ambient temperature	≤ 80 °C (≤ 176 °F)

Release date: 2017-07-25 15:26 Date of issue: 2017-07-25 285708_eng.xml