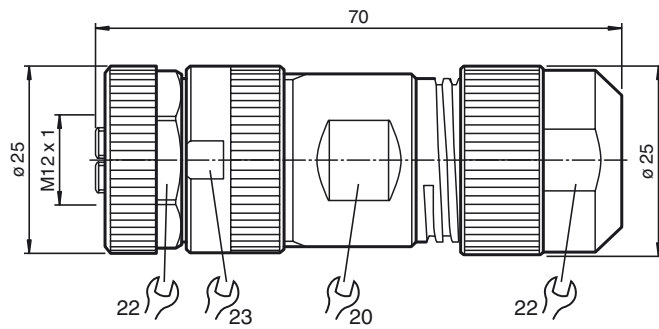




Dimensions



Model Number

V15L-G-BK

Single-ended female cordset, M12, L-coded, field attachable

Features

- Gold plated contacts
- Field attachable

Technical data

General specifications

Number of pins	5
Connection 1	socket
Construction type 1	straight
Threading 1	M12

Electrical specifications

Rated operating voltage	U_e	63 V
Rated operating current	I_e	16 A
Volume resistance		< 5 m Ω
Surge protection		Category III
Insulation resistance		> 10 ¹⁰ Ω

Ambient conditions

Ambient temperature	-40 ... 85 °C (-40 ... 185 °F)
Pollution degree	3

Mechanical specifications

Connection type	screw terminal
Degree of protection	IP67
Connection	5-pin, M12 x 1 socket, L-coded
Material	
Contacts	CuSn
Contact surface	Au
Body	PA
Cable	
Sheath diameter	8 mm ... 13 mm
Cores	Cross section max. 2.5 mm ² , max. 14 AWG
Life span	> 100 mating cycles

Electrical connection

