

### Model Number

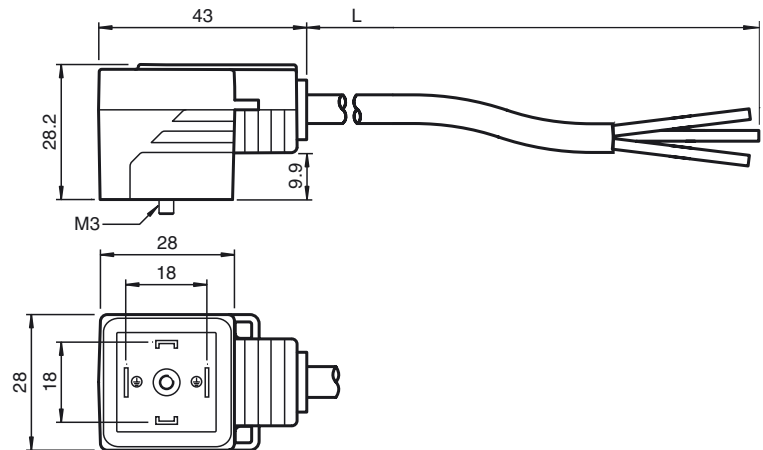
#### VMA-2+P-2M-PUR

Valve connector, Form A, 2+PE, PUR cable

### Features

- Valve connector according EN 175301-803 A/ISO 4400 (previously DIN 43650)
- Moulded seal
- Suitable for drag chains
- freely selectable cable models due to bridged protective earth
- Flame resistant cable
- Halogen-free

### Dimensions



### Technical data

#### General specifications

Number of pins 2 + PE

#### Electrical specifications

Operating voltage  $U_B$  250 V AC/DC

Operating current  $I_B$  max. 10 A

Volume resistance < 10 m $\Omega$

#### Ambient conditions

Ambient temperature Body: -25 ... 80 °C (-13 ... 176 °F)  
cable, flexing: -20 ... 80 °C (-4 ... 176 °F)  
cable, fixed: -40 ... 80 °C (-40 ... 176 °F)

Pollution Degree 3

#### Mechanical specifications

Degree of protection IP65/IP67

Connection Valve connector Form A

#### Material

Contacts CuSn

Contact surface Sn

Body TPU, black

Cable PUR

Core insulation PP

#### Cable

Sheath diameter  $\varnothing$  4.5 mm

Bending radius > 50 mm  
> 22.5 mm, fixed

Color dark grey (RAL 7021)

Cores (2 + 1) x 0.5 mm<sup>2</sup>; 20 AWG

Conductor construction 28 x 0.15 mm  $\varnothing$

Length L 2 m

#### Drag chain suitability

Drag chain cycles  $\geq$  15000000

Motion velocity  $\leq$  5 m/s

Traverse distance 0.9 m

Acceleration  $\leq$  30 m/s<sup>2</sup>

### Electrical connection

