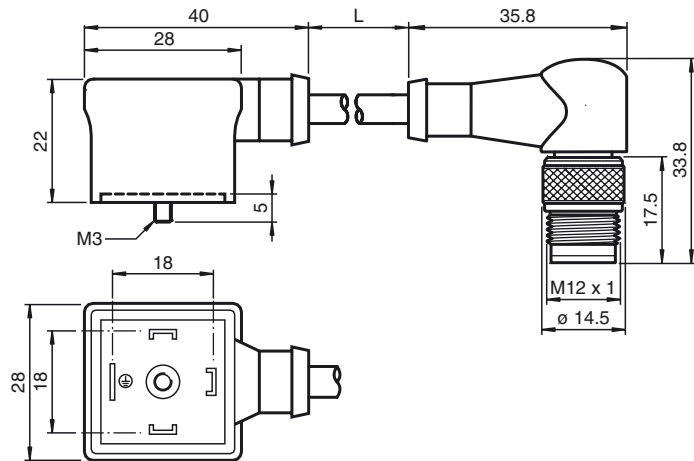




Dimensions



Model Number

VMA-3+P/L1-1M-PUR-V1-W

Valve connector, Form A, 3+PE, LED, PUR cable

Features

- Valve connector according EN 175301-803 A/ISO 4400 (previously DIN 43650)
- Moulded seal

Technical data

General specifications

Number of pins 3 + PE

Indicators/operating means

LED green/yellow Operating display

Electrical specifications

Operating voltage U_B 24 V AC/DC

Operating current I_B max. 10 A

Volume resistance < 10 mΩ

Ambient conditions

Ambient temperature -40 ... 80 °C (-40 ... 176 °F)

Cable: -25 ... 80 °C (-13 ... 176 °F)

Mechanical specifications

Degree of protection IP67

Connection Valve connector Form A

Material

Contacts CuZn ; CuSn

Body PUR

Cable PUR

Core insulation PVC

Cable

Sheath diameter Ø 5.7 mm

Bending radius > 10 x cable diameter, moving

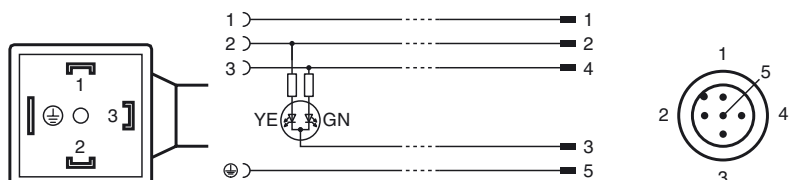
Color black

Cores (4 + 1) x 0.5 mm²

Conductor construction 16 x 0.2 mm Ø

Length L 1 m

Electrical connection



Release date: 2015-12-15 14:50 Date of issue: 2015-12-15 456906_eng.xml

Refer to "General Notes Relating to Pepperl+Fuchs Product Information".

Pepperl+Fuchs Group
www.pepperl-fuchs.com

USA: +1 330 486 0001
fa-info@us.pepperl-fuchs.com

Germany: +49 621 776 4411
fa-info@de.pepperl-fuchs.com

Singapore: +65 6779 9091
fa-info@sg.pepperl-fuchs.com