



Model Number

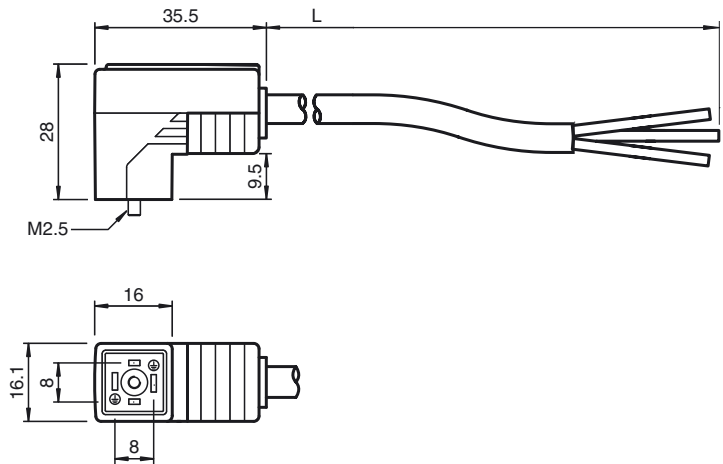
VMC-2+P/V2-5M-PVC

Valve connector, Form C, varistor, PVC cable

Features

- Valve connector according EN 175301-803 A/ISO 4400 (previously DIN 43650)
- Varistor as a protective circuit
- Built-in LED, as operating and function indicator
- Moulded seal
- freely selectable cable models due to bridged protective earth
- Flame resistant cable

Dimensions



Technical data

General specifications

Number of pins 2 + PE

Indicators/operating means

LED yellow Functional display

Electrical specifications

Operating voltage U_B 24 V AC/DC
 Operating current I_B max. 4 A
 Volume resistance < 5 m Ω
 Suppression Varistor

Ambient conditions

Ambient temperature Body: -20 ... 85 °C (-4 ... 185 °F)
 cable, flexing: -5 ... 80 °C (23 ... 176 °F)
 cable, fixed: -40 ... 80 °C (-40 ... 176 °F)
 Pollution degree 3

Mechanical specifications

Degree of protection IP65/IP67
 Connection Valve connector Form C
 Material
 Contacts CuSn
 Contact surface Sn
 Body TPU, black
 Cable PVC
 Core insulation PVC
 Cable
 Sheath diameter \varnothing 4.8 mm
 Bending radius > 5 x cable diameter, moving
 > 10 x cable diameter, fixed
 Color black
 Cores 3 x 0.5 mm², 20 AWG
 Conductor construction 28 x 0.15 mm \varnothing
 Length L 2 m

Electrical connection

