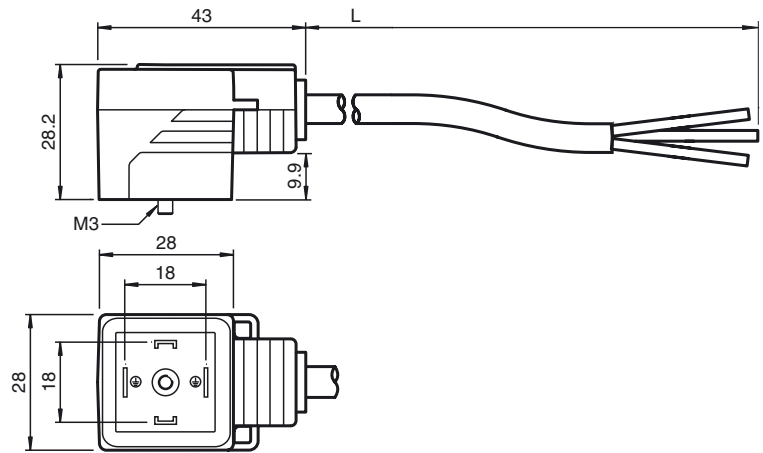


**Dimensions**



**Model Number**

**VMA-2+P-0,6M-PUR**

Valve connector, Form A, 2+PE, PUR cable

**Features**

- Valve connector according EN 175301-803 A/ISO 4400 (previously DIN 43650)
- Moulded seal
- freely selectable cable models due to bridged protective earth
- Flame resistant cable
- Halogen-free

**Technical data**

**General specifications**

Number of pins 2 + PE

**Electrical specifications**

Operating voltage  $U_B$  250 V AC/DC  
 Operating current  $I_B$  max. 10 A  
 Volume resistance < 10 mΩ

**Ambient conditions**

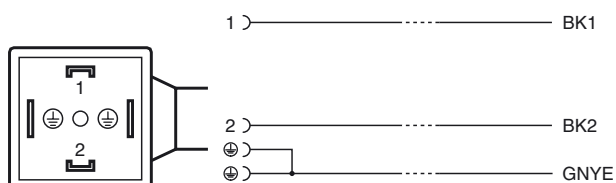
Ambient temperature Body: -25 ... 80 °C (-13 ... 176 °F)  
 cable, flexing: -20 ... 80 °C (-4 ... 176 °F)  
 cable, fixed: -40 ... 80 °C (-40 ... 176 °F)

Pollution Degree 3

**Mechanical specifications**

Degree of protection IP65/IP67  
 Connection Valve connector Form A  
 Material  
 Contacts CuSn  
 Contact surface Sn  
 Body TPU, black  
 Cable PUR  
 Core insulation PP  
 Cable  
 Sheath diameter Ø 4.5 mm  
 Bending radius > 50 mm  
 > 22.5 mm, fixed  
 Color dark grey (RAL 7021)  
 Cores (2 + 1) x 0.5 mm<sup>2</sup>; 20 AWG  
 Conductor construction 28 x 0.15 mm Ø  
 Length L 0.6 m

**Electrical connection**



Release date: 2015-12-14 15:39 Date of issue: 2015-12-14 247579\_eng.xml

Refer to "General Notes Relating to Pepperl+Fuchs Product Information".