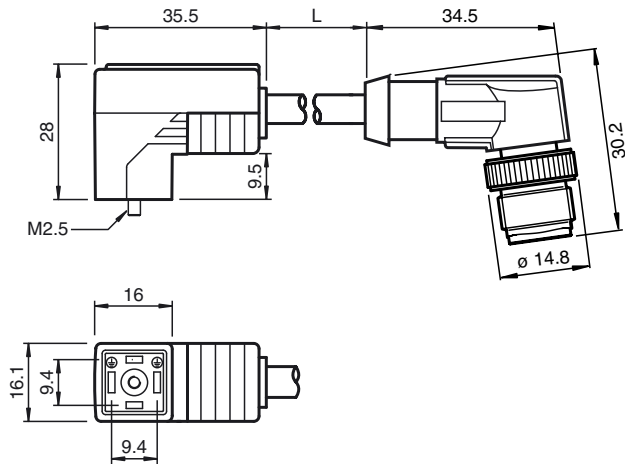




Dimensions



Model Number

VMCI-2+P/Z2-2M-PUR-V1-W

Valve connector, Form C (Ind) on M12, 2+PE, LED, Z diode, PUR cable

Features

- Z diode as a protective circuit
- Built-in LED, as operating and function indicator
- Moulded seal
- freely selectable cable models due to bridged protective earth
- Flame resistant cable
- Halogen-free

Technical data

General specifications

Number of pins 2 + PE

Indicators/operating means

LED yellow Functional display

Electrical specifications

Operating voltage U_B 24 V AC/DC

Test voltage 2000 V

Operating current I_B max. 4 A

Volume resistance < 5 mΩ

Suppression Zener diode

Ambient conditions

Ambient temperature Body: -20 ... 85 °C (-4 ... 185 °F)
 cable, flexing: -20 ... 80 °C (-4 ... 176 °F)
 cable, fixed: -40 ... 80 °C (-40 ... 176 °F)

Pollution Degree 3

Mechanical specifications

Degree of protection IP65/IP67

Connection Valve connector, Form C (Ind)

Material

Contacts CuSn

Contact surface Sn; Ni/Au

Body TPU, black

Cable PUR

Seal TPU

Core insulation PP

Cable

Sheath diameter Ø 4.5 mm

Bending radius > 50 mm

> 22.5 mm, fixed

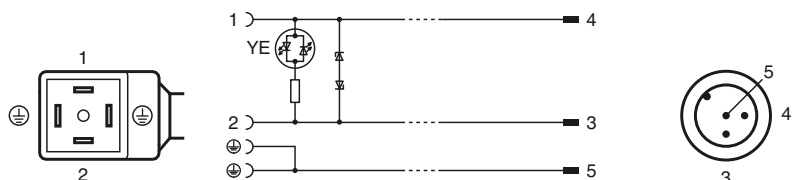
Color dark grey (RAL 7021)

Cores (2 + 1) x 0.5 mm²; 20 AWG

Conductor construction 28 x 0.15 mm Ø

Length L 2 m

Electrical connection



Release date: 2015-12-15 14:51 Date of issue: 2015-12-16 456931_eng.xml

Refer to "General Notes Relating to Pepperl+Fuchs Product Information".