



Model Number

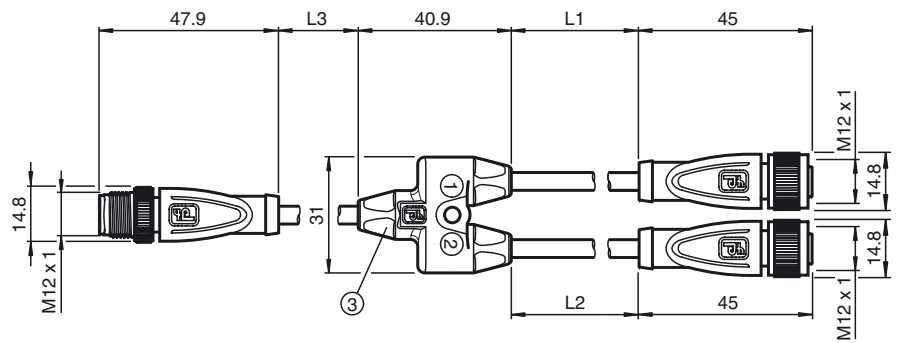
V1-G-OR0,3M-POC-T-0,6M-V1-G

Y-splitter cordset, M12 to 2xM12, 4-pin, TPE cable, welding-bead resistant

Features

- Resistant to welding bead formation
- Suitable for robotic applications / torsion resistant
- Does not give off silicone
- Ozone resistant
- Knurled nut suitable for tool assembly
- Immunity to vibration, with mechanical latching
- Gold plated contacts

Dimensions



Technical data

General specifications

Number of pins	4
Connection 1	socket
Construction type 1	straight
Threading 1	M12
Connection 2	socket
Construction type 2	straight
Threading 2	M12
Connection 3	Male connector
Construction type 3	straight
Threading 3	M12

Electrical specifications

Operating voltage	U_B	max. 60 V DC
Operating current	I_B	max. 4 A
Volume resistance		< 5 m Ω

Ambient conditions

Ambient temperature	Body: -40 ... 90 °C (-40 ... 194 °F) Cable, flexing: -15 ... 120 °C (5 ... 248 °F) for 20000 h -15 ... 150 °C (5 ... 302 °F) for 3000 h cable, fixed: -40 ... 120 °C (-40 ... 248 °F) for 20000 h -40 ... 150 °C (-40 ... 302 °F) for 3000 h
Pollution degree	3

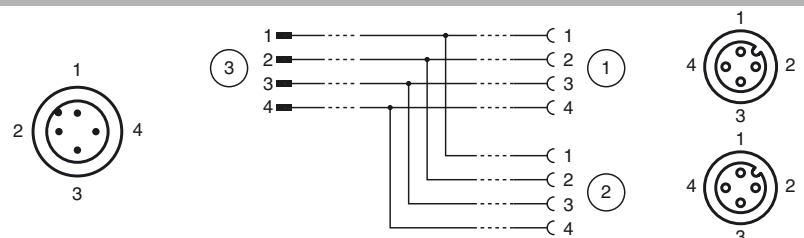
Mechanical specifications

Contact elements	spring-loaded contact socket
Pin diameter	1 mm
Degree of protection	IP67
Connection	1 x M12 connector, straight 2 x M12 straight sockets

Material

Contacts	CuSn / Au
Contact surface	Au
Body	TPU, black
Cable	TPE resistant to welding bead formation
Slotted nut	Diecast zinc
Sleeve connector	Diecast zinc
Core insulation	ETFE
Cable	fine-strand, flexible
Sheath diameter	Ø 4.8 mm
Bending radius	> 10 x cable diameter, moving
Color	orange
Number of cores	4
Core cross-section	0.34 mm ²

Electrical connection



Release date: 2018-05-08 13:14 Date of issue: 2018-05-18 309727_eng.xml

Refer to "General Notes Relating to Pepperl+Fuchs Product Information".

Conductor construction		19 x 0.16 mm Ø
Length	L	L1 = 0.3 m
		L2 = 0.3 m
		L3 = 0.6 m
Flammability		
Contact carrier		94 HB
Housing		94 V-2
Cable		flame-resistant
Compliance with standards and directives		
Standard conformity		
Degree of protection		EN 60529:2000
Standards		IEC 61076-2-101:2008
Flammability		Body: UL 94
		Line: UL 1581 Section 1061; IEC 60332-1-2:2004

Release date: 2018-05-08 13:14 Date of issue: 2018-05-18 309727_eng.xml