



Model Number

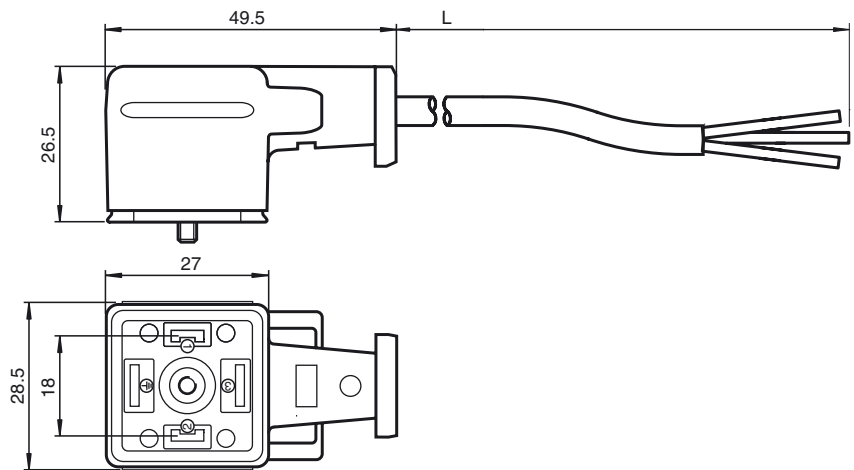
VMA-2+P/L1-2M-PUR

Valve connector Form A

Features

- Valve connector according EN 175301-803 A/ISO 4400 (previously DIN 43650)
- Moulded seal
- Built-in LED, as operating and function indicator

Dimensions



Technical data

General specifications

Number of pins 2 + PE

Indicators/operating means

LED yellow Operating display

Electrical specifications

Operating voltage U_B 24 V AC/DC

Operating current I_B max. 10 A

Volume resistance < 10 m Ω

Ambient conditions

Ambient temperature -25 ... 80 °C (-13 ... 176 °F)

Pollution degree 3

Mechanical specifications

Contact elements Fork type springs

Degree of protection IP65/IP67

Connection Valve connector Form A

Material

Contacts CuZn ; CuSn

Body PUR

Cable PUR

Core insulation PP

Cable fine-strand, flexible

Sheath diameter \varnothing 5.8 mm

Bending radius > 10 x cable diameter, moving

Color grey

Cores (2 + 1) x 0.75 mm²

Conductor construction 42 x 0.15 mm \varnothing

Length L 2 m

Electrical connection

