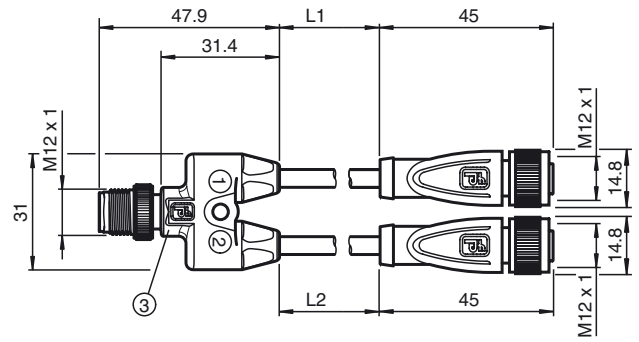




Dimensions



Model Number

V1-G-BK0,6M-PUR-A-TV1-G

Y connecting cable, M12 to 2xM12, 4-pin, PUR cable

Features

- Simple assembling of 2 signals to one M12 plug-in station
- Improved resistance to weld slag
- Immunity to vibration, with mechanical latching
- Suitable for drag chains
- Suitable for robotic applications / torsion resistant
- Flame resistant cable
- Halogen-free
- Resistant to microbes and hydrolysis
- Free of paint coating substances

Technical data

General specifications

Number of pins 4

Electrical specifications

Operating voltage U_B max. 30 V AC/DC

Operating current I_B max. 4 A

Volume resistance $\leq 5 \text{ m}\Omega$

Surge protection overvoltage category III

Ambient conditions

Ambient temperature Body: -40 ... 90 °C (-40 ... 194 °F)
cable, fixed: -40 ... 80 °C (-40 ... 176 °F)
cable, flexing: -25 ... 80 °C (-13 ... 176 °F)

Pollution Degree 3

Mechanical specifications

Contact elements spring-loaded contact socket

Pin diameter 1 mm

Degree of protection IP67

Connection 1 x M12 connector, straight
2 x M12 straight sockets

Material

Contacts CuSn / Au

Contact surface Au

Body TPU, black

Cable PUR

Slotted nut Diecast zinc

Sleeve connector Diecast zinc

Core insulation PP

Cable extra-fine wire, flexible

Sheath diameter $\varnothing 4.3 \text{ mm}$

Bending radius $> 10 \times$ cable diameter, moving
 $> 5 \times$ cable diameter, fixed

Color black

Cores $4 \times 0.34 \text{ mm}^2$

Conductor construction $42 \times 0.1 \text{ mm } \varnothing$

Length L L1 = 0.6 m
L2 = 0.6 m

Drag chain suitability

Drag chain cycles ≥ 5000000 (at max. 60 °C)

Motion velocity $\leq 3.3 \text{ m/s}$

Traverse distance 5 m horizontal

Acceleration $\leq 5 \text{ m/s}^2$

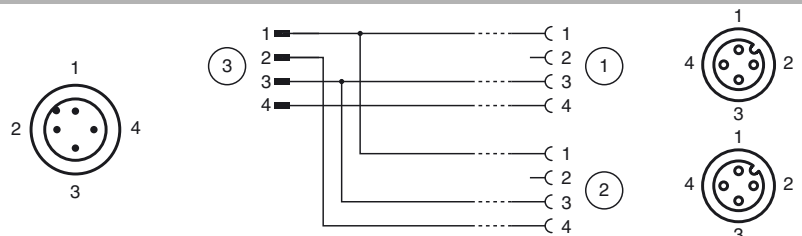
Torsion cycles ≥ 1000000 (at max. 60 °C)

Torsional stress $\pm 180 \text{ }^\circ/\text{m}$

Flammability

Contact carrier 94 HB

Electrical connection



Release date: 2015-12-17 13:41 Date of issue: 2015-12-17 252969_eng.xml

Refer to "General Notes Relating to Pepperl+Fuchs Product Information".

Housing	94 V-2
Cable	FT2
Compliance with standards and directives	
Standard conformity	
Degree of protection	EN 60529:2000
Standards	IEC 61076-2-101:2008
Flammability	Grip: UL 94 Cable: UL 758 / UL 1581
Halogen-free	IEC 60754-1:1994/DIN VDE 0472-815

Release date: 2015-12-17 13:41 Date of issue: 2015-12-17 252969_eng.xml