



### Model Number

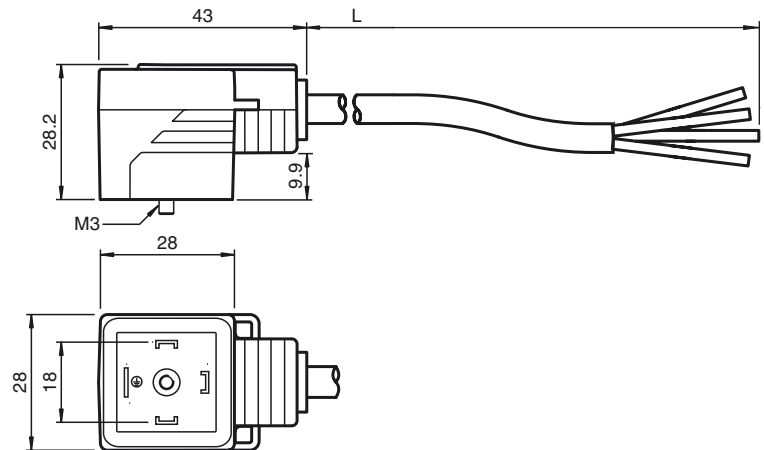
#### VMA-3+P-2M-PUR

Valve connector, Form A, 3+PE, PUR cable

### Features

- Valve connector according EN 175301-803 A/ISO 4400 (previously DIN 43650)
- Moulded seal

### Dimensions



### Technical data

#### General specifications

Number of pins	3 + PE
Connection 1	Valve connector DIN
Construction type 1	right angle
Connection 2	cable end

#### Electrical specifications

Operating voltage	$U_B$	250 V AC/DC
Operating current	$I_B$	max. 4 A
Volume resistance		< 10 m $\Omega$

#### Ambient conditions

Ambient temperature	Body: -20 ... 85 °C (-4 ... 185 °F) cable, flexing: -20 ... 80 °C (-4 ... 176 °F) cable, fixed: -40 ... 80 °C (-40 ... 176 °F)
Pollution degree	3

#### Mechanical specifications

Degree of protection	IP65/IP67
Connection	Valve connector Form A
Material	
Contacts	CuSn
Contact surface	Sn
Body	TPU, black
Cable	PUR
Core insulation	PP
Cable	
Sheath diameter	$\varnothing$ 6 mm
Bending radius	> 10 x cable diameter, moving
Color	black
Cores	(3 + 1) x 0.5 mm <sup>2</sup>
Conductor construction	16 x 0.2 mm $\varnothing$
Length	L 2 m

### Electrical connection

