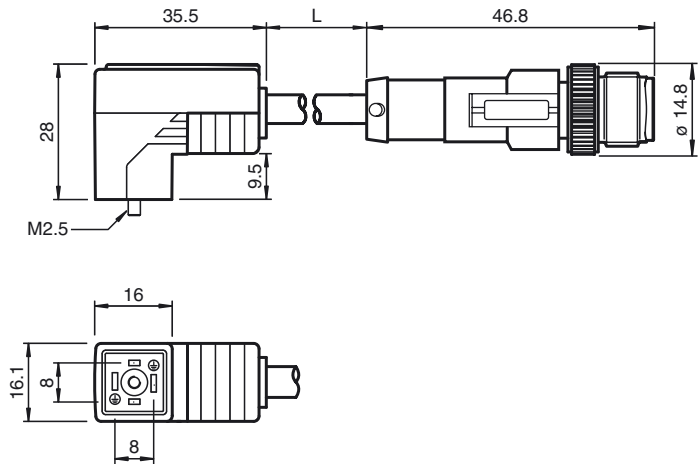




Dimensions



Model Number

VMC-2+P/Z2-0,6M-PUR-V1-G

Valve connector, Form C on M12, 2+PE, Z diode, PUR cable

Features

- Valve connector according EN 175301-803 A/ISO 4400 (previously DIN 43650)
- Z diode as a protective circuit
- Built-in LED, as operating and function indicator
- Moulded seal
- freely selectable cable models due to bridged protective earth
- Halogen-free

Technical data

General specifications

Number of pins 2 + PE

Electrical specifications

Operating voltage U_B 24 V AC/DC

Operating current I_B max. 4 A

Volume resistance < 5 mΩ

Suppression Zener diode

Ambient conditions

Ambient temperature Body: -15 ... 85 °C (5 ... 185 °F)
cable, flexing: -20 ... 80 °C (-4 ... 176 °F)
cable, fixed: -40 ... 80 °C (-40 ... 176 °F)

Pollution Degree 3

Mechanical specifications

Degree of protection IP65/IP67

Connection Valve connector Form C

Material

Contacts CuSn

Contact surface Sn

Body TPU, black

Cable PUR

Core insulation PP

Cable

Sheath diameter Ø 4.5 mm

Bending radius > 10 x cable diameter, appropriate for conveyor chains

Color dark grey (RAL 7021)

Cores (2 + 1) x 0.5 mm²; 20 AWG

Conductor construction 28 x 0.15 mm Ø

Length L 0.6 m

Approvals and certificates

UL approval cURus AWM 20549 (cable)

Electrical connection

