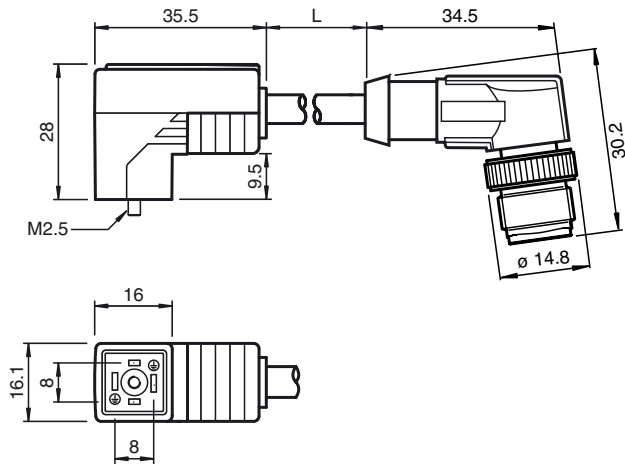




**Dimensions**



**Model Number**

**VMC-2+P/Z2-0,3M-PVC-V1-W**

Valve connector, Form C on M12, 2+PE, LED, Z diode, PVC cable

**Features**

- Valve connector according EN 175301-803 A/ISO 4400 (previously DIN 43650)
- Suitable for F31K and F31K2 double sensors
- Z diode as a protective circuit
- Built-in LED, as operating and function indicator
- Moulded seal
- freely selectable cable models due to bridged protective earth
- Flame resistant cable

**Technical data**

**General specifications**

Number of pins 2 + PE

**Electrical specifications**

Operating voltage  $U_B$  24 V AC/DC

Operating current  $I_B$  max. 4 A

Volume resistance < 5 mΩ

Suppression Zener diode

**Ambient conditions**

Ambient temperature Body: -20 ... 85 °C (-4 ... 185 °F)  
cable, flexing: -5 ... 80 °C (23 ... 176 °F)  
cable, fixed: -40 ... 80 °C (-40 ... 176 °F)

Pollution Degree 3

**Mechanical specifications**

Degree of protection IP65/IP67

Connection Valve connector Form C

**Material**

Contacts CuSn

Contact surface Sn

Body TPU, black

Cable PVC

Core insulation PVC

**Cable**

Sheath diameter Ø 4.8 mm

Bending radius > 5 x cable diameter, moving  
> 10 x cable diameter, fixed

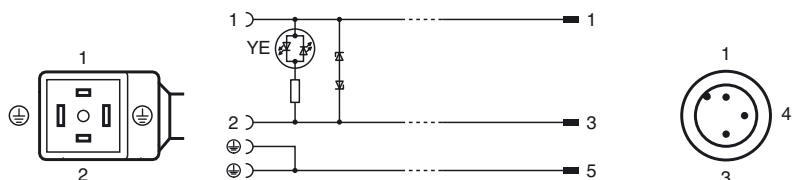
Color black

Cores 3 x 0.5 mm<sup>2</sup>, 20 AWG

Conductor construction 28 x 0.15 mm Ø

Length L 0.3 m

**Electrical connection**



Release date: 2015-12-16 10:55 Date of issue: 2015-12-16 254106\_eng.xml

Refer to "General Notes Relating to Pepperl+Fuchs Product Information".

Pepperl+Fuchs Group  
www.pepperl-fuchs.com

USA: +1 330 486 0001  
fa-info@us.pepperl-fuchs.com

Germany: +49 621 776 4411  
fa-info@de.pepperl-fuchs.com

Singapore: +65 6779 9091  
fa-info@sg.pepperl-fuchs.com