



Model Number

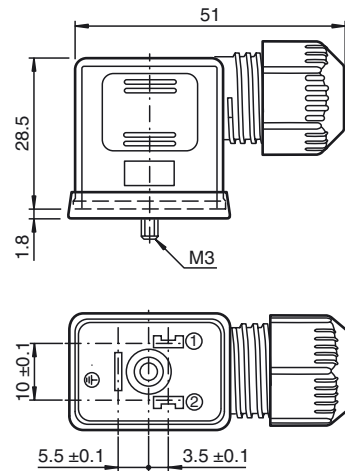
VMB-2+P

Valve connector Form B, non pre-wired

Features

- Valve connector as per EN 175301-803
- Degree of protection IP67

Dimensions



Technical data

General specifications

Number of pins 2 + PE

Electrical specifications

Operating voltage U_B 250 V AC / 300 V DC

Operating current I_B max. 16 A

Volume resistance $< 4 \text{ m}\omega$

Ambient conditions

Ambient temperature $-40 \dots 90 \text{ }^\circ\text{C}$ ($-40 \dots 194 \text{ }^\circ\text{F}$)

Storage temperature $-40 \dots 125 \text{ }^\circ\text{C}$ ($-40 \dots 257 \text{ }^\circ\text{F}$)

Mechanical specifications

Degree of protection IP67

Connection Valve connector Form B
screw terminal for max. 1.5 mm^2 ; 16 AWG

Material

Contact surface Ag

Body PA, black

Seal NBR

Cable

Sheath diameter 4 ... 9 mm

Electrical connection

