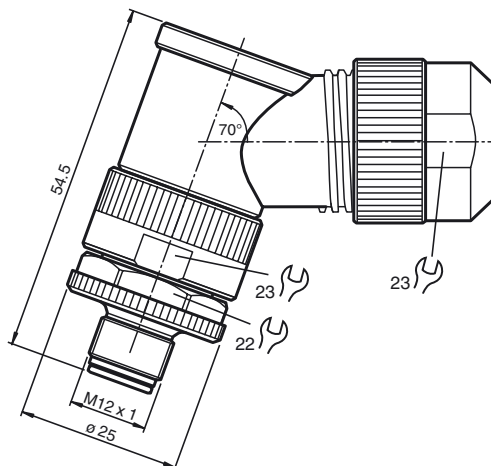




Dimensions



Model Number

V15SL-W-BK

Single-ended male cordset, M12, L-coded, field attachable

Features

- Gold plated contacts
- Field attachable

Accessories

MH V1-SCREWDRIVER
torque screwdriver (0.6 Nm)

MH V1-BIT M12
plug-in cap M12

Schraubendreher 0,5 x 3,0 mm
Screwdriver

Technical data

General specifications

Number of pins	5
Connection 1	Male connector
Construction type 1	right angle
Threading 1	M12

Electrical specifications

Rated operating voltage	U_e	63 V
Rated operating current	I_e	16 A
Volume resistance		< 5 m Ω
Surge protection		Category III
Insulation resistance		> 10 ¹⁰ Ω

Ambient conditions

Ambient temperature	-40 ... 85 °C (-40 ... 185 °F)
Pollution degree	3

Mechanical specifications

Connection type	screw terminal
Degree of protection	IP67
Connection	5-pin, M12 x 1 connector, L-coded
Material	
Contacts	CuZn
Contact surface	Au
Body	PA
Cable	
Sheath diameter	8 mm ... 13 mm
Cores	Cross section max. 2.5 mm ² , max. 14 AWG
Life span	> 100 mating cycles

Electrical connection

