



Model Number

V1S-K-PG9P-90

Receptacles, M12/PG9, 4-pin; plastic version

Features

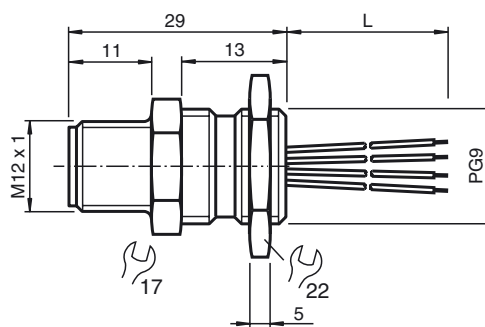
- Plastic version
- Front/screw mounting
- M12 plug can be mounted in any position

Accessories

V1S-B

Blind plug for M12 sockets

Dimensions



Technical data

General specifications

Number of pins	4
Connection 1	Male connector
Construction type 1	straight
Threading 1	M12
Connection 2	cable end

Electrical specifications

Operating voltage	U_B	max. 250 V AC/DC
Operating current	I_B	max. 4 A
Volume resistance		< 5 mΩ

Ambient conditions

Ambient temperature	-25 ... 80 °C (-13 ... 176 °F)
---------------------	--------------------------------

Mechanical specifications

Pin diameter	1 mm
Degree of protection	IP67 when sealing with O-Ring
Connection	Single strand leads with connector sleeves
Material	
Contacts	CuZn
Contact surface	Au
Connector	plastic
Seal	NBR
Core insulation	PVC
Cable	
Number of cores	4
Core cross-section	0.25 mm ²
Length	L 80 mm
Installation	Front mounting PG9

Compliance with standards and directives

Standard conformity	
Degree of protection	EN 60529

Notes

O-ring (13,3 x 1,5) and lock nut are included and assembled.

Electrical connection



Release date: 2019-08-27 12:13 Date of issue: 2019-08-27 317057_eng.xml