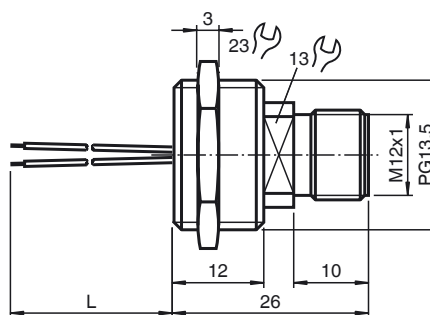




Dimensions



Model Number

V1S-K-PG13,5P-ASI

Receptacle, M12/PG13.5, 2-pin; plastic

Features

- Plastic version
- Front/screw mounting
- M12 plug can be mounted in any position
- Only two pins assigned

Technical data

General specifications

Number of pins	4
Connection 1	Male connector
Construction type 1	straight
Threading 1	M12
Connection 2	cable end

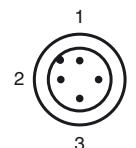
Mechanical specifications

Degree of protection	IP67 when sealing with O-Ring
Connection	Single strand leads with connector sleeves
Material	
Connector	plastic
Core insulation	PVC
Cable	
Number of cores	2
Core cross-section	0.25 mm ²
Length	L 250 mm
Installation	Front mounting PG13.5

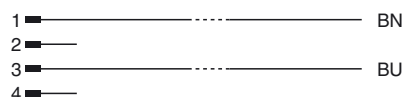
Compliance with standards and directives

Standard conformity	
Degree of protection	EN 60529

Electrical connection



Electrical connection



Release date: 2019-01-10 12:58 Date of issue: 2019-01-10 70100836_eng.xml

Note

O-ring (13,3 x 1,5) and two lock nuts are included and assembled.

Release date: 2019-01-10 12:58 Date of issue: 2019-01-10 70100836_eng.xml