



Inclination sensor INX360DH-F199-B30-V15

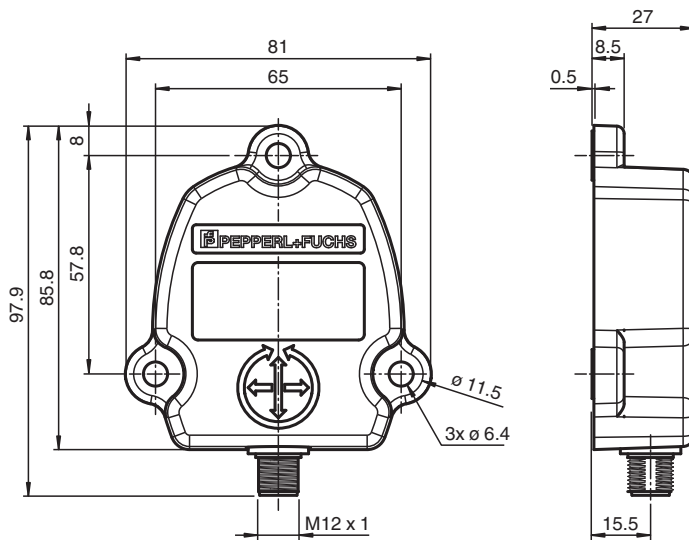
- Sturdy housing
- High accuracy of $\leq \pm 0,15^\circ$
- Communication via MODBUS RTU
- 1-axis with 360° measuring range



Function

This inclination sensor has a MODBUS RTU interface. With its sturdy housing and its high accuracy, it is ideally suited for applications in the fields of solar, wind or mobile equipment.

Dimensions



Technical Data

General specifications

Type	Inclination sensor, 1-axis
Time delay before availability	320 ms
Measurement range	0 ... 360 °
Absolute accuracy	$\leq \pm 0.15^\circ$

Release date: 2020-06-22 Date of issue: 2020-06-22 Filename: 310472_eng.pdf

Refer to "General Notes Relating to Pepperl+Fuchs Product Information".

Pepperl+Fuchs Group
www.pepperl-fuchs.com

USA: +1 330 486 0001
fa-info@us.pepperl-fuchs.com

Germany: +49 621 776 1111
fa-info@de.pepperl-fuchs.com


Singapore: +65 6779 9091
fa-info@sg.pepperl-fuchs.com

PF PEPPERL+FUCHS

Technical Data

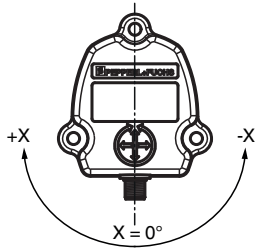
Response delay		≤ 25 ms
Resolution		≤ 0.01 °
Temperature influence		≤ 0.004 °/K
Functional safety related parameters		
MTTF _d		900 a at 40 °C
Mission Time (T _M)		20 a
Diagnostic Coverage (DC)		0 %
Electrical specifications		
Operating voltage	U _B	4.5 ... 30 V DC
No-load supply current	I ₀	≤ 100 mA at 5 V DC ≤ 25 mA at 24 V DC
Interface		
Interface type		MODBUS RTU
Node ID		1 ... 247 , programmable , factory setting 127 decimal
Transfer rate		2.4 ... 115200 kBit/s , programmable in 7 steps , factory setting 19,2 kBit/s
Data format		even parity, 1 start bit, 1 stop bit, 8 data bits
Output driver		line driver RS485
Compliance with standards and directives		
Standard conformity		
Noise immunity		EN 61000-6-2
Emitted interference		EN 61000-6-4
Shock and impact resistance		DIN EN 60068-2-27, 100 g, 6 ms
Vibration resistance		DIN EN 60068-2-6, 20 g, 10 ... 2000 Hz
Ambient conditions		
Ambient temperature		-40 ... 85 °C (-40 ... 185 °F)
Storage temperature		-40 ... 85 °C (-40 ... 185 °F)
Mechanical specifications		
Connection type		5-pin, M12 x 1 connector , A-coded
Housing material		aluminum, corrosion-resistant
Degree of protection		IP68 / IP69
Mass		approx. 200 g

Accessories

	V15S-T-CAN/DN-V15	Y-Splitter, M12 socket on M12 connector/socket
---	--------------------------	--

Mounting

X-Orientation



Connection

Electrical connection

Signal	5-pin, M12 x 1 connector
n. c.	1
+V _S	2
GND	3
RS485 A +	4
RS485 B -	5
Pinout	

Release date: 2020-06-22 Date of issue: 2020-06-22 Filename: 310472_eng.pdf

Refer to "General Notes Relating to Pepperl+Fuchs Product Information".